



US010122371B2

(12) **United States Patent**  
**Staszewski et al.**

(10) **Patent No.:** **US 10,122,371 B2**

(45) **Date of Patent:** **Nov. 6, 2018**

(54) **RECONFIGURABLE CALCULATION UNIT WITH ATOMIC COMPUTATION UNITS AND CONTROL INPUTS**

**G06F 7/60** (2006.01)  
**H04B 1/16** (2006.01)

(52) **U.S. Cl.**  
CPC ..... **H03L 7/0992** (2013.01); **G06F 7/605** (2013.01); **G06F 9/30014** (2013.01); **G06F 9/30032** (2013.01); **G06F 9/30181** (2013.01); **G06F 17/10** (2013.01); **H03L 7/1974** (2013.01); **H03L 7/1976** (2013.01); **H04B 1/04** (2013.01); **H04W 56/003** (2013.01); **H03L 2207/50** (2013.01)

(71) Applicant: **TEXAS INSTRUMENTS INCORPORATED**, Dallas, TX (US)

(72) Inventors: **Roman Staszewski**, McKinney, TX (US); **Robert B. Staszewski**, Dublin (IE); **Fuqiang Shi**, San Jose, CA (US)

(73) Assignee: **Texas Instruments Incorporated**, Dallas, TX (US)

(58) **Field of Classification Search**  
CPC . H03L 7/16; H03L 7/18; H03L 7/1806; H03L 7/1974; H03L 7/1976  
USPC ..... 455/260  
See application file for complete search history.

(\* ) Notice: Subject to any disclaimer, the term of this patent is extended or adjusted under 35 U.S.C. 154(b) by 0 days.

(56) **References Cited**

U.S. PATENT DOCUMENTS

5,267,040 A 11/1993 Gossett  
5,546,431 A 8/1996 Bazes

(Continued)

*Primary Examiner* — Lee Nguyen

(74) *Attorney, Agent, or Firm* — Lawrence J. Bassuk; Charles A. Brill; Frank D. Cimino

(21) Appl. No.: **15/816,408**

(22) Filed: **Nov. 17, 2017**

(65) **Prior Publication Data**

US 2018/0083644 A1 Mar. 22, 2018

**Related U.S. Application Data**

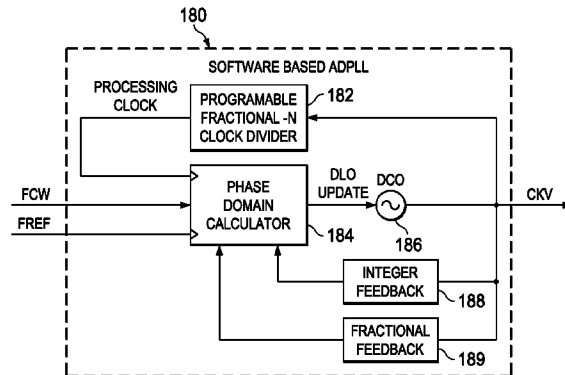
(62) Division of application No. 15/269,245, filed on Sep. 19, 2016, now Pat. No. 9,853,649, which is a division of application No. 14/800,174, filed on Jul. 15, 2015, now Pat. No. 9,473,155, which is a division of application No. 13/680,441, filed on Nov. 19, 2012, now Pat. No. 9,116,769, which is a division of (Continued)

(57) **ABSTRACT**

A novel and useful apparatus for and method of software based phase locked loop (PLL). The software based PLL incorporates a reconfigurable calculation unit (RCU) that is optimized and programmed to sequentially perform all the atomic operations of a PLL or any other desired task in a time sharing manner. An application specific instruction-set processor (ASIP) incorporating the RCU includes an instruction set whose instructions are optimized to perform the atomic operations of a PLL. The RCU is clocked at a fast enough processor clock rate to insure that all PLL atomic operations are performed within a single PLL reference clock cycle.

**5 Claims, 19 Drawing Sheets**

(51) **Int. Cl.**  
**H04B 1/06** (2006.01)  
**H03L 7/099** (2006.01)  
**G06F 9/30** (2018.01)  
**H03L 7/197** (2006.01)  
**H04W 56/00** (2009.01)  
**H04B 1/04** (2006.01)  
**G06F 17/10** (2006.01)



**Related U.S. Application Data**

application No. 11/853,575, filed on Sep. 11, 2007,  
now Pat. No. 8,321,489.

- (60) Provisional application No. 60/825,838, filed on Sep.  
15, 2006.

(56) **References Cited**

U.S. PATENT DOCUMENTS

5,584,061	A	12/1996	Kimura et al.	
5,798,954	A	8/1998	Ishibata	
5,957,999	A	9/1999	Davis	
6,393,067	B1	5/2002	Uesugi	
6,480,872	B1	11/2002	Choquette	
6,678,709	B1	1/2004	Gandhi et al.	
6,809,598	B1	10/2004	Staszewski et al.	
6,847,378	B2	1/2005	Oberoi et al.	
7,853,635	B2	12/2010	Busaba et al.	
7,890,566	B1	2/2011	Zbiciak	
8,024,394	B2	9/2011	Prokopenko et al.	
8,321,489	B2 *	11/2012	Staszewski .....	G06F 9/30032 708/300
9,116,769	B2 *	8/2015	Staszewski .....	G06F 9/30032
9,473,155	B2 *	10/2016	Staszewski .....	G06F 9/30032
9,853,649	B2 *	12/2017	Staszewski .....	H03L 7/0992
2002/0026466	A1	2/2002	Ohashi et al.	
2002/0131538	A1	9/2002	Staszewski	
2006/0033582	A1	2/2006	Staszewski et al.	
2006/0038710	A1	2/2006	Staszewski et al.	
2006/0133559	A1	6/2006	Glass	
2007/0085622	A1	4/2007	Wallberg et al.	
2008/0068236	A1	3/2008	Sheba et al.	

\* cited by examiner

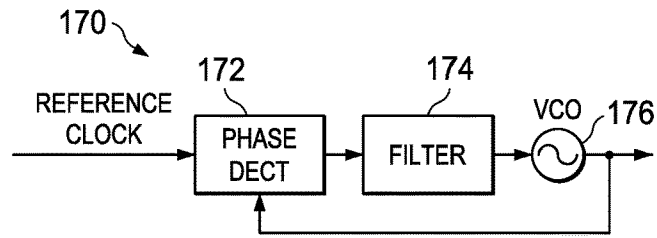


FIG. 1  
(PRIOR ART)

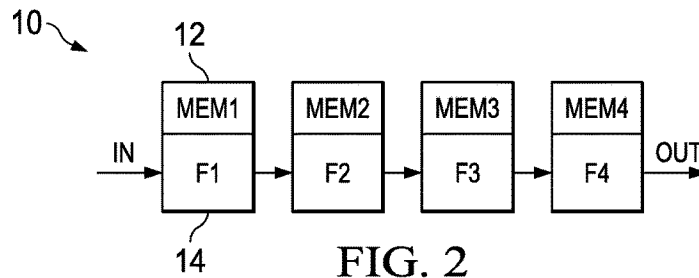


FIG. 2  
(PRIOR ART)

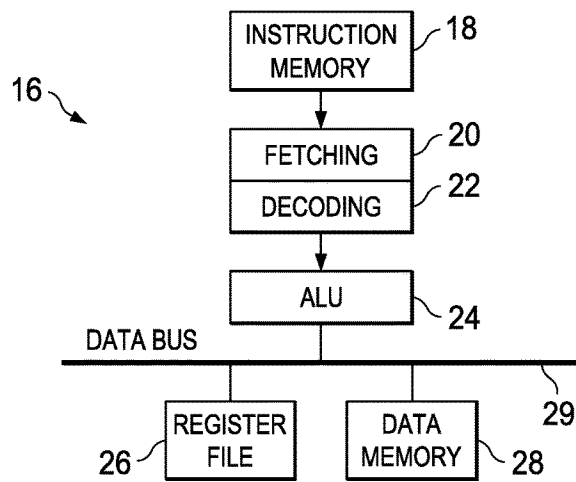


FIG. 3  
(PRIOR ART)

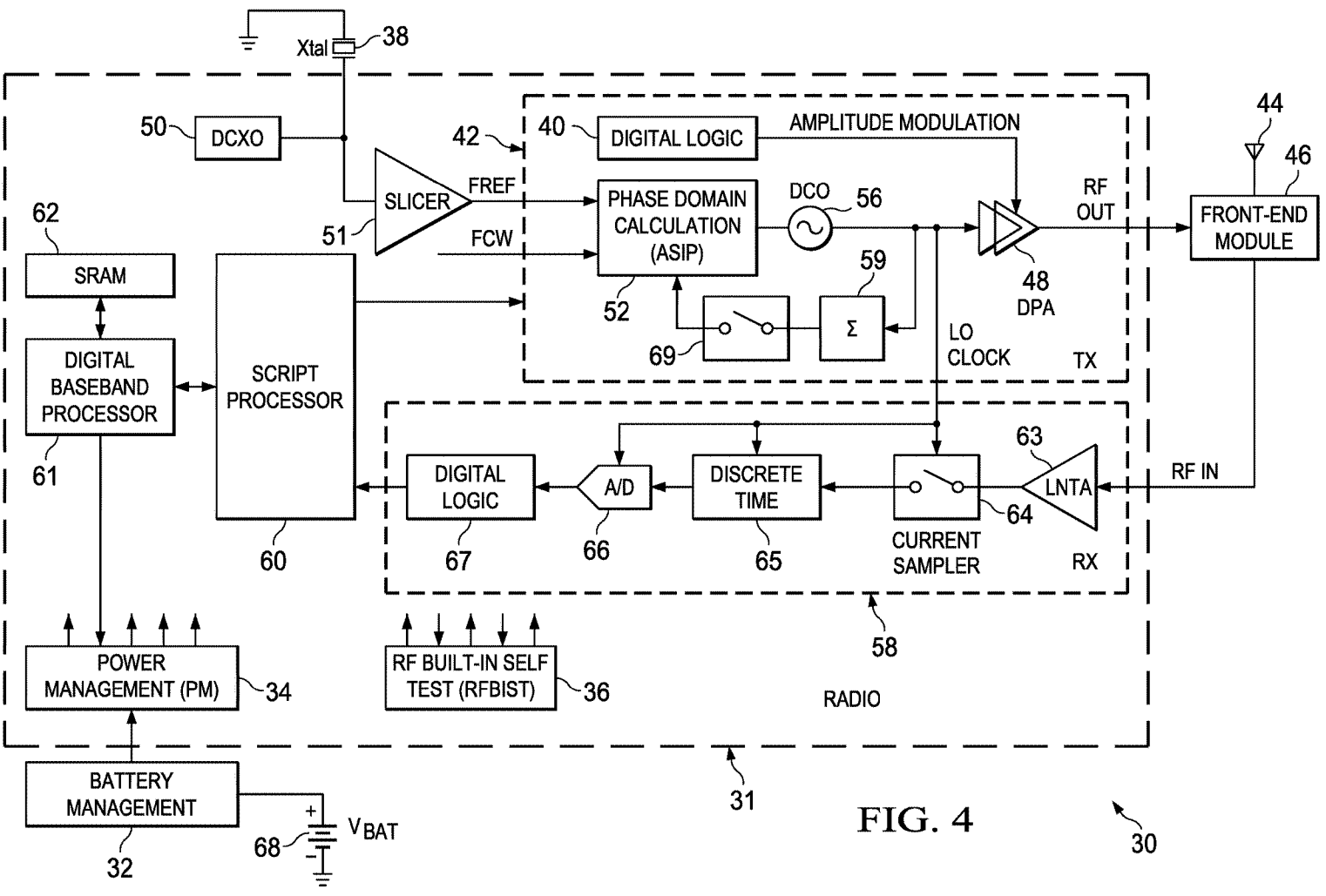


FIG. 4

30

31

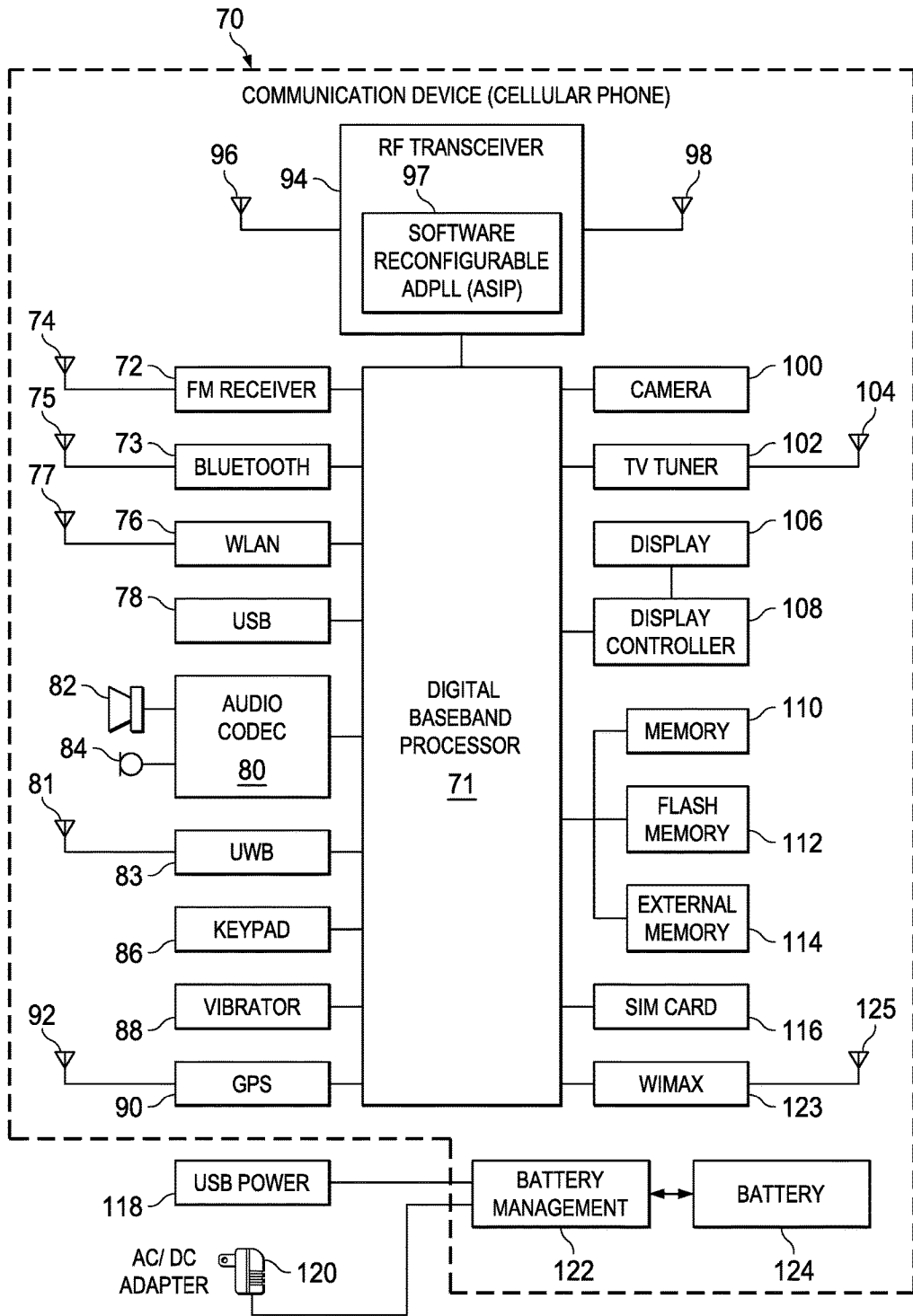


FIG. 5

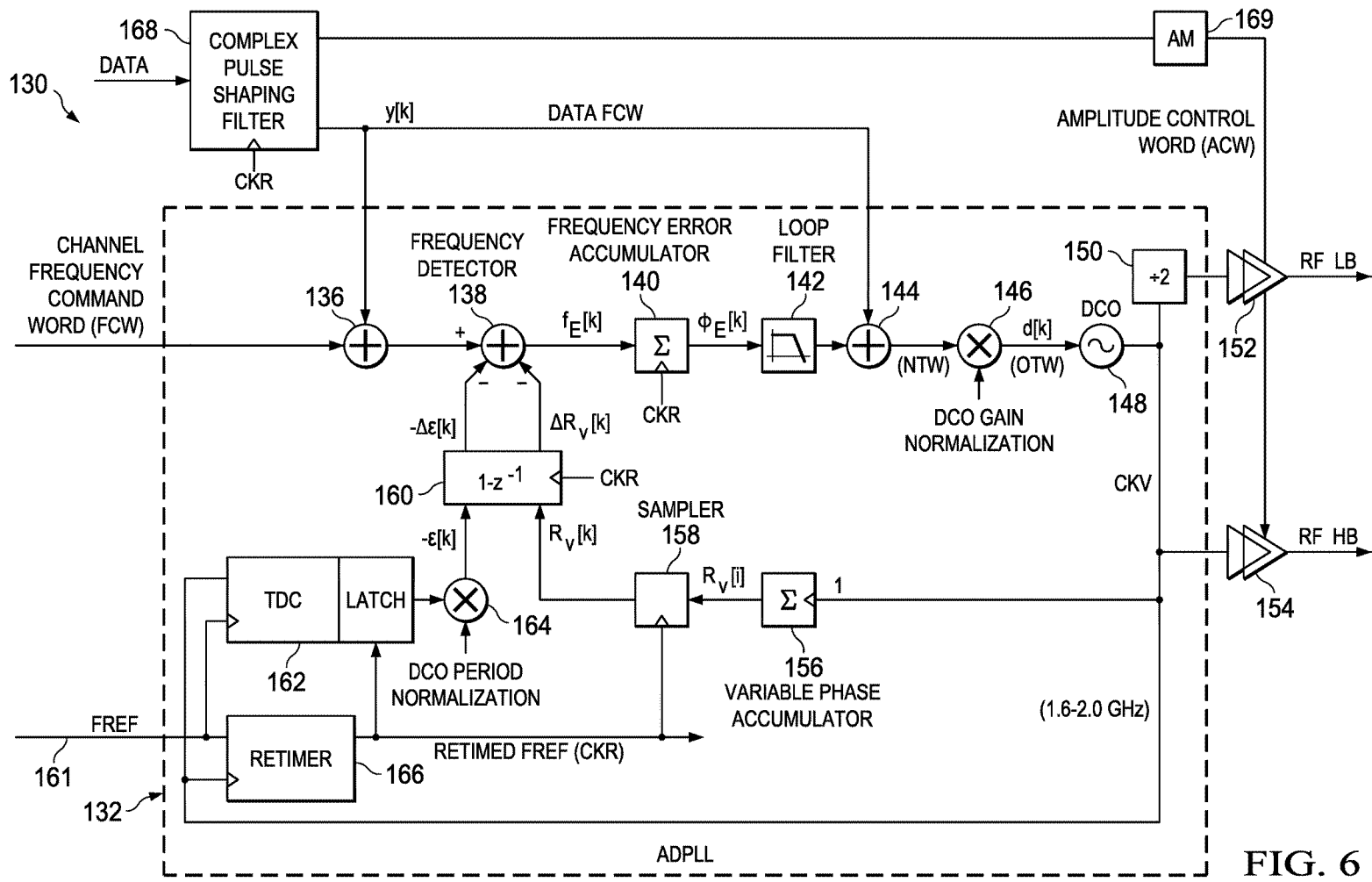


FIG. 6

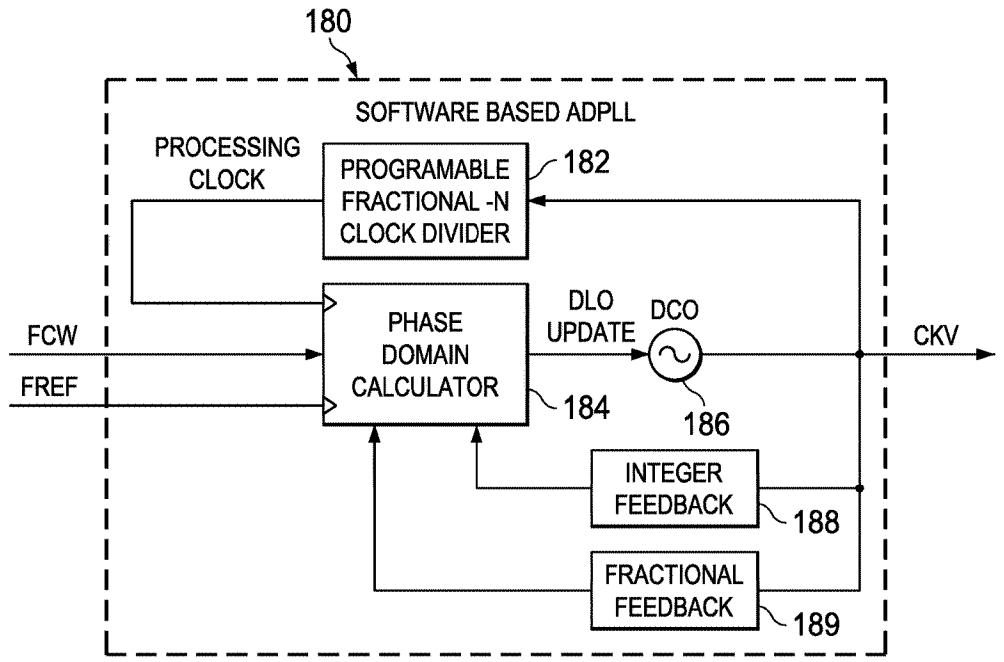


FIG. 7

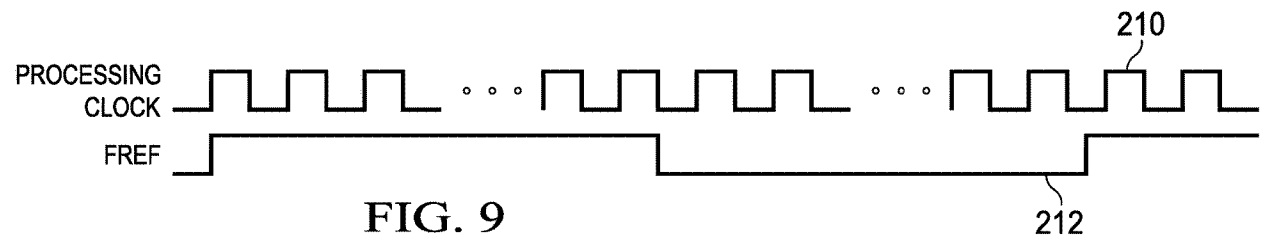
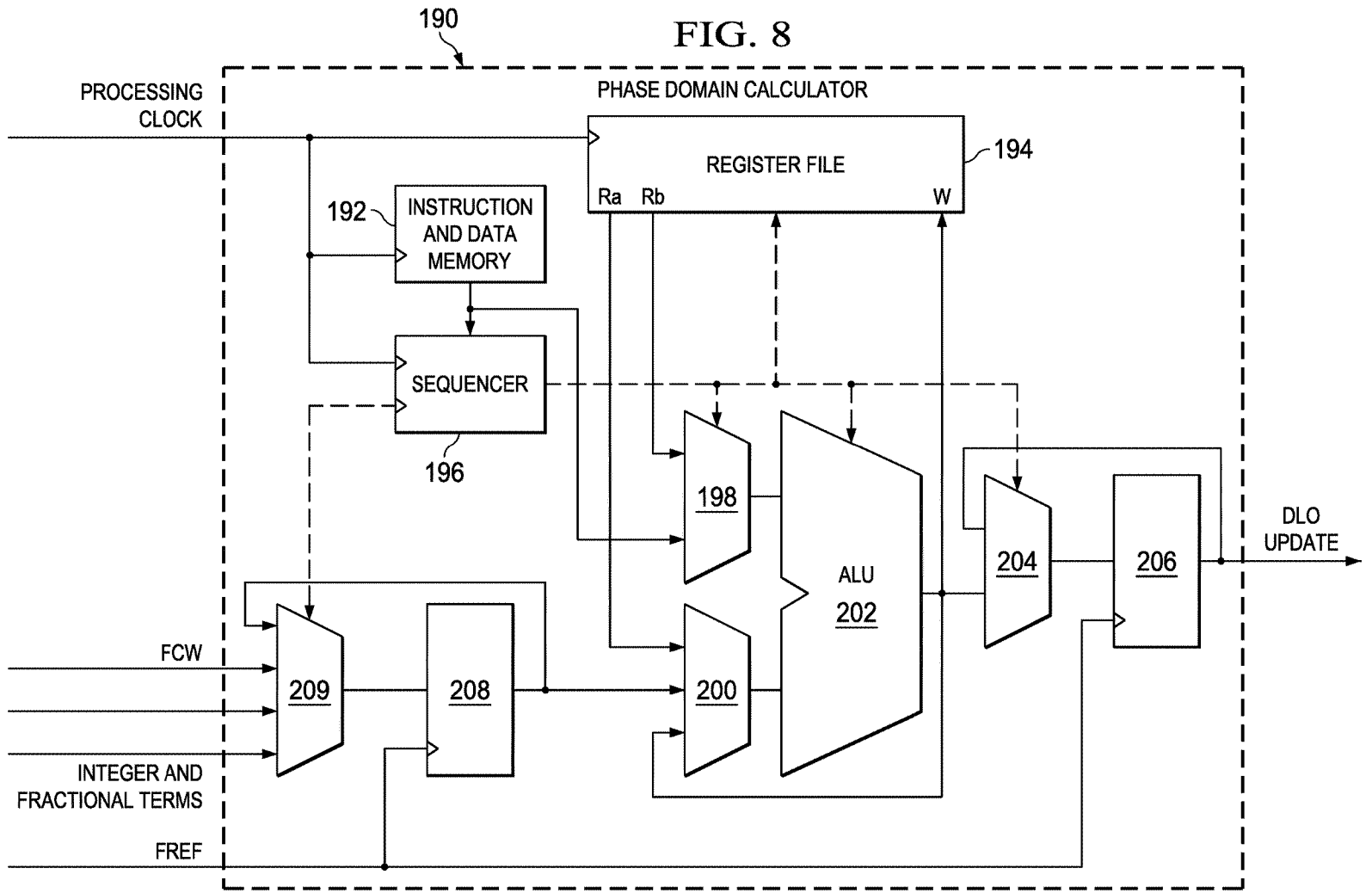


FIG. 9

FIG. 8





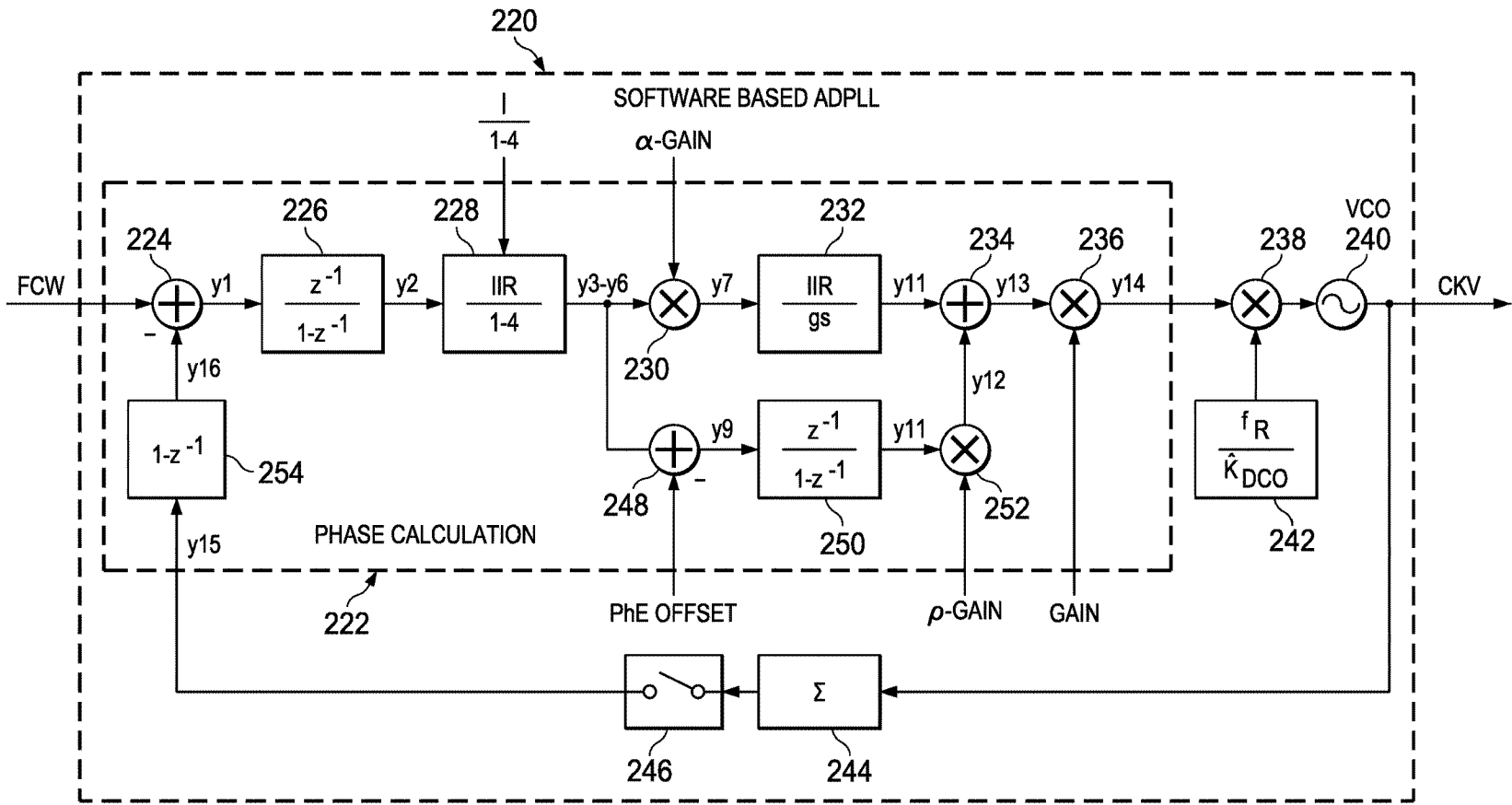


FIG. 10

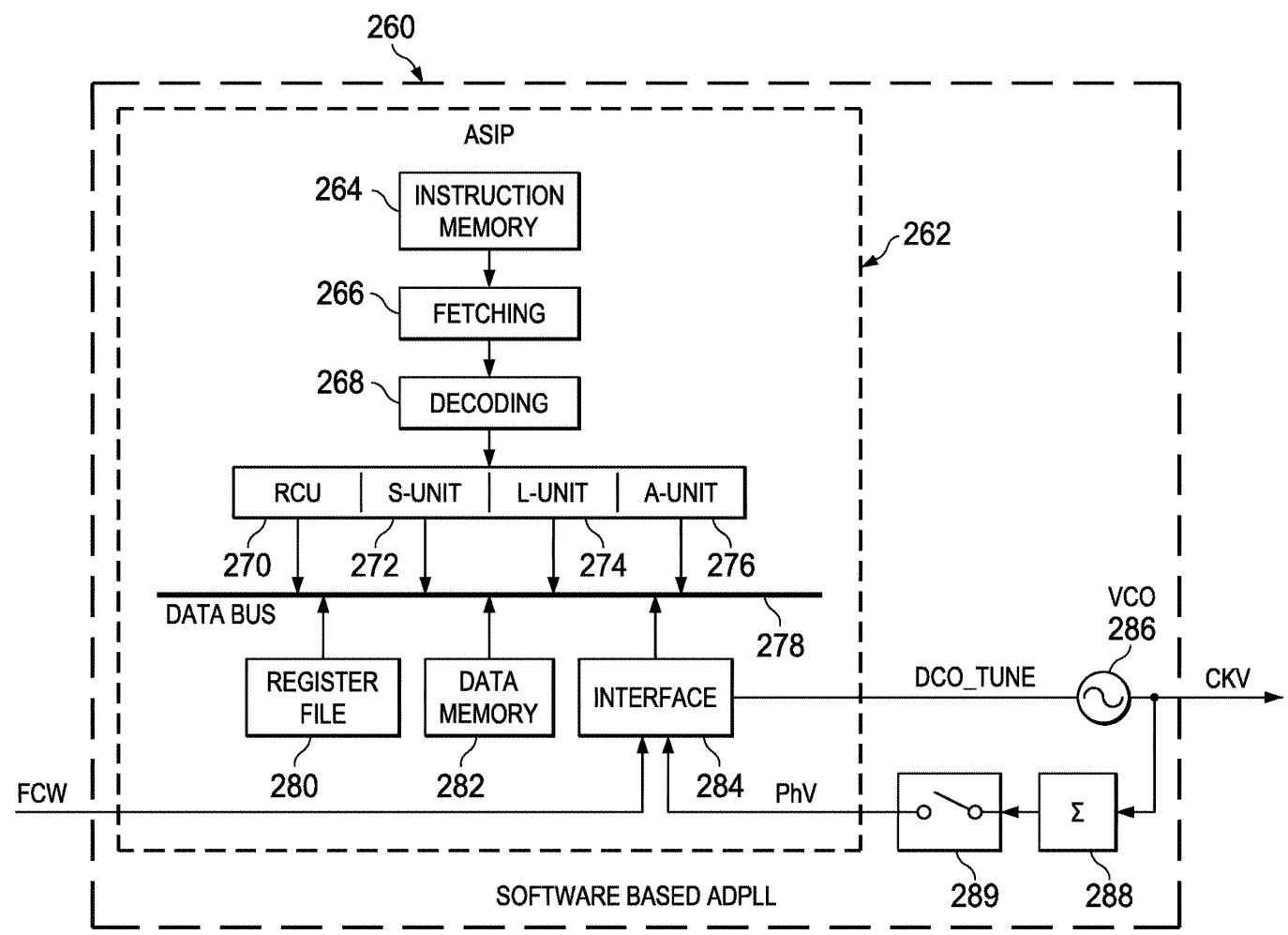
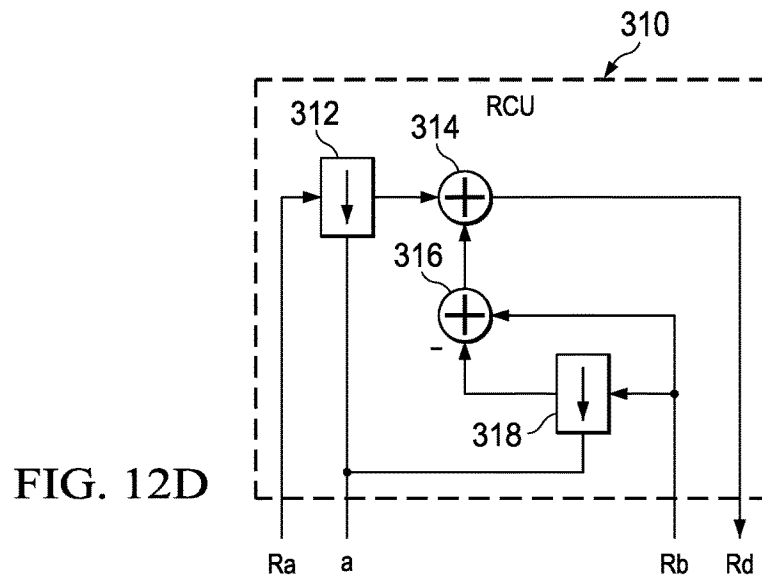
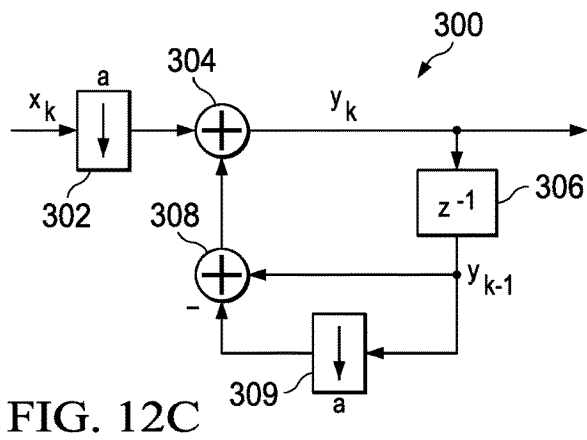
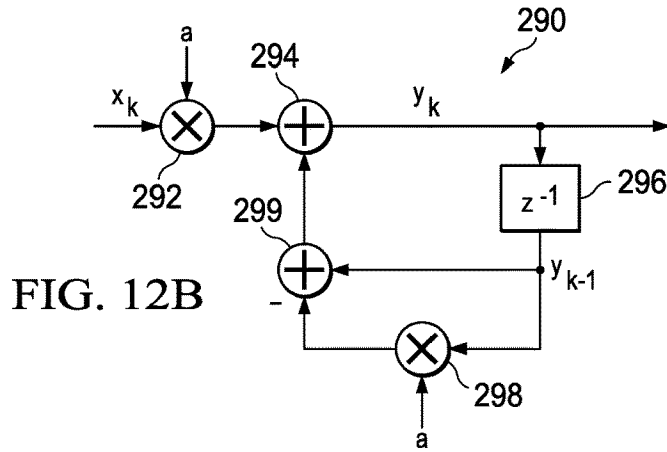


FIG. 11

$$y_k = (1-a)y_{k-1} + a x_k$$

$$H(z) = \frac{a}{1-(a-1)z^{-1}}$$

} FIG. 12A



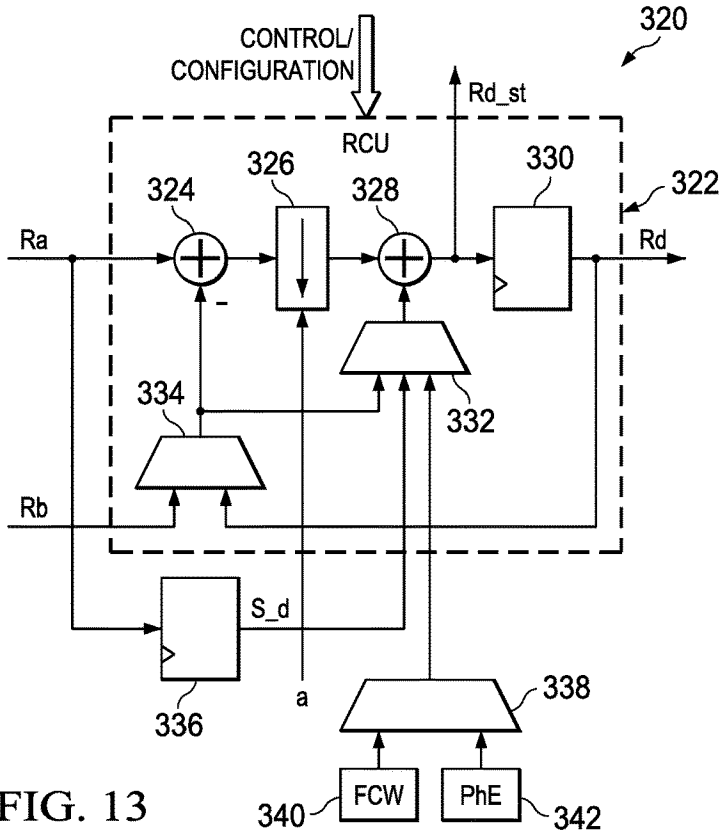


FIG. 13

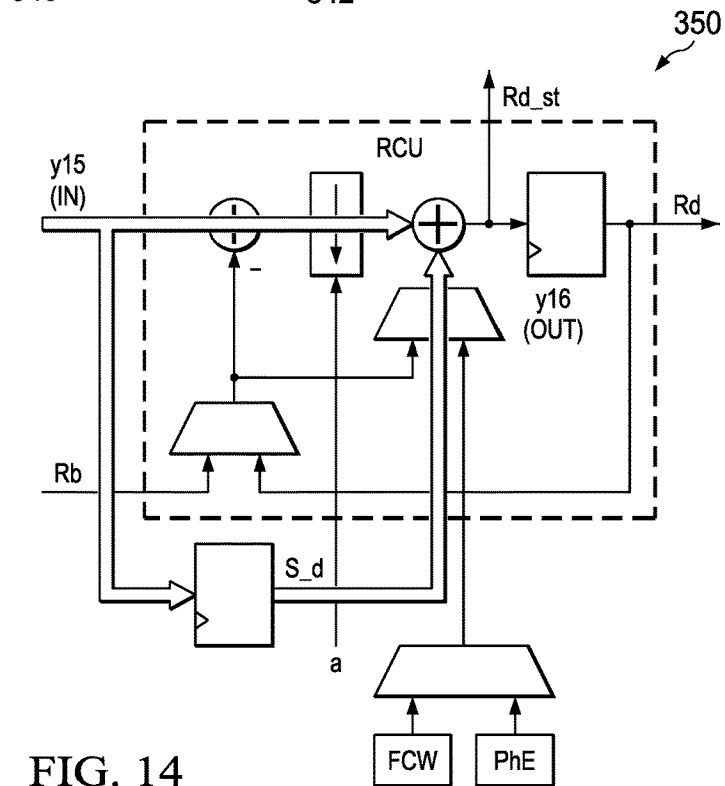


FIG. 14



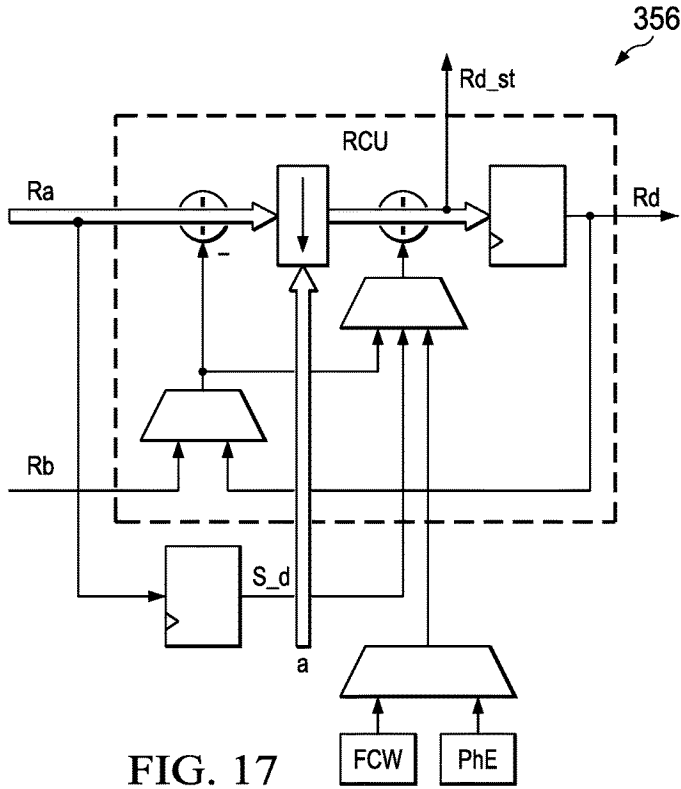


FIG. 17

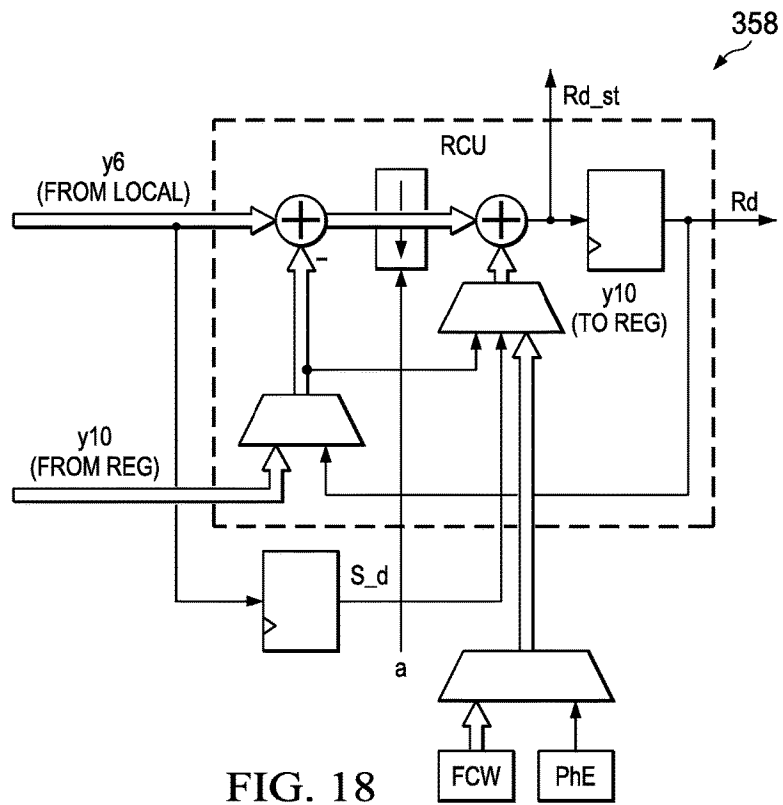


FIG. 18

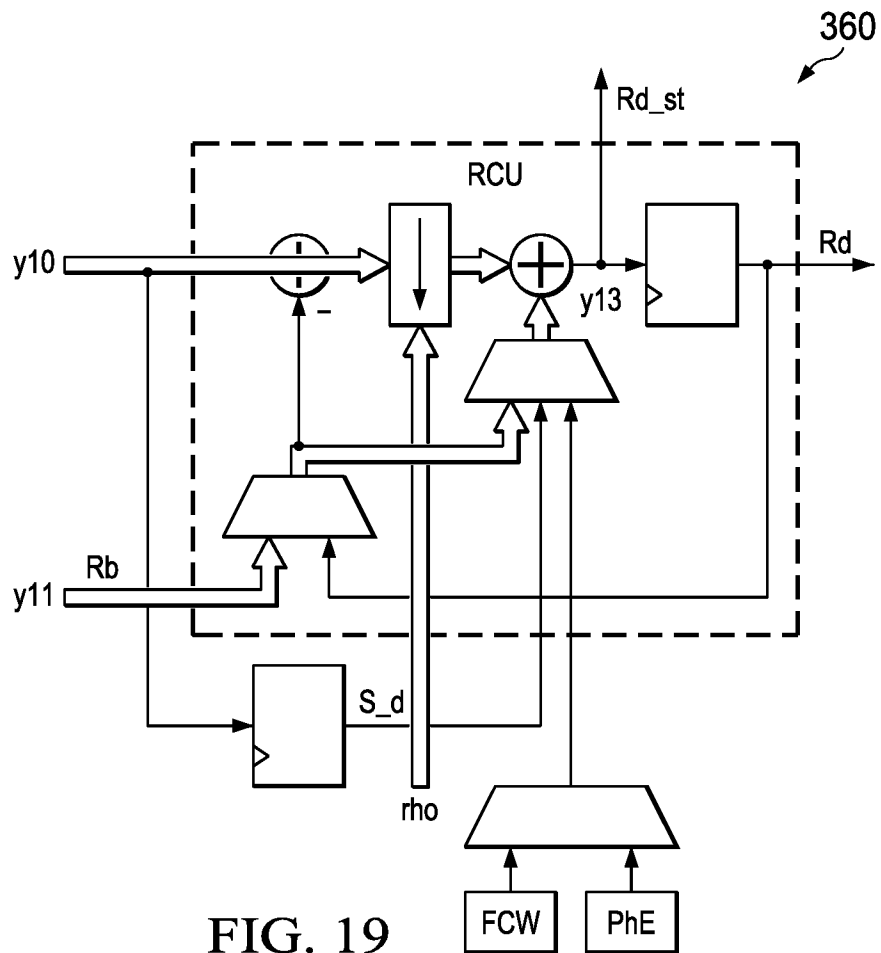


FIG. 19

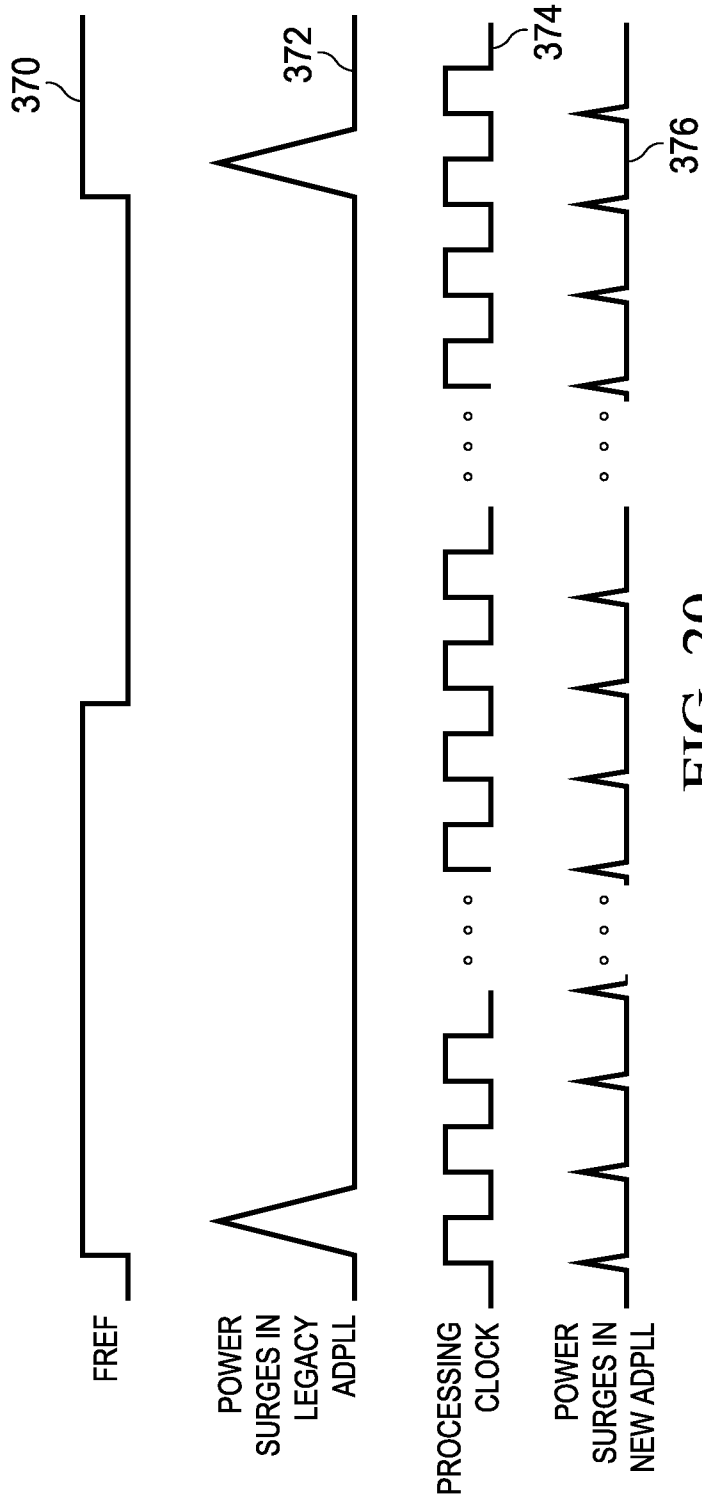


FIG. 20



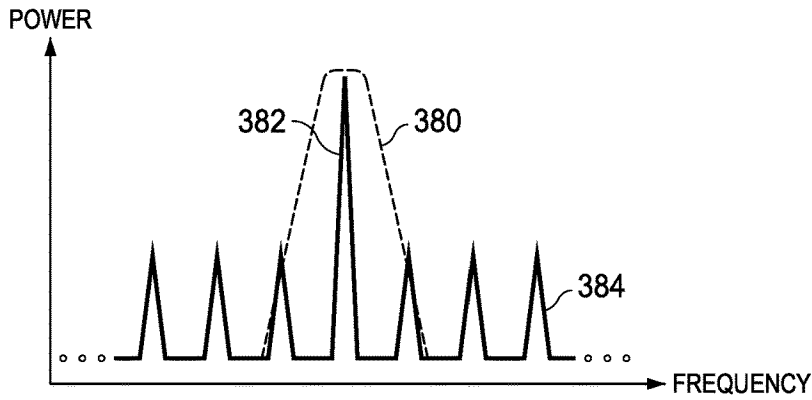


FIG. 21

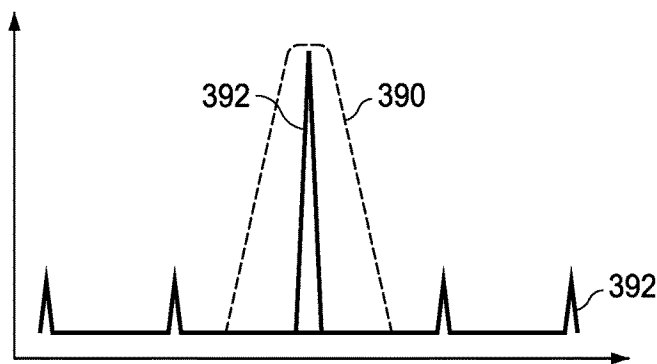


FIG. 22

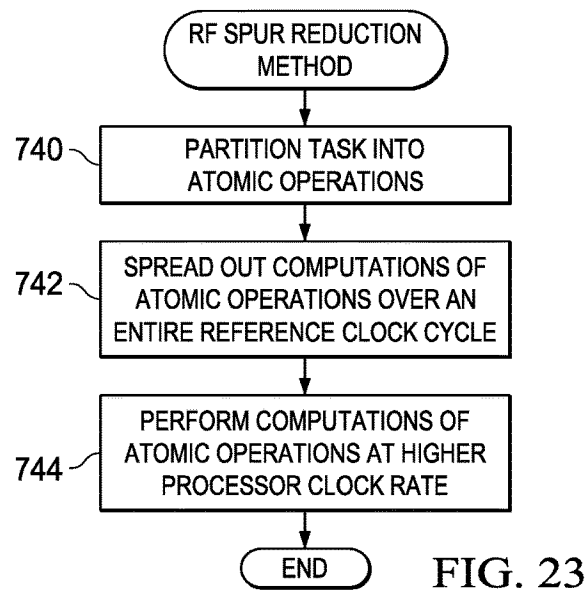
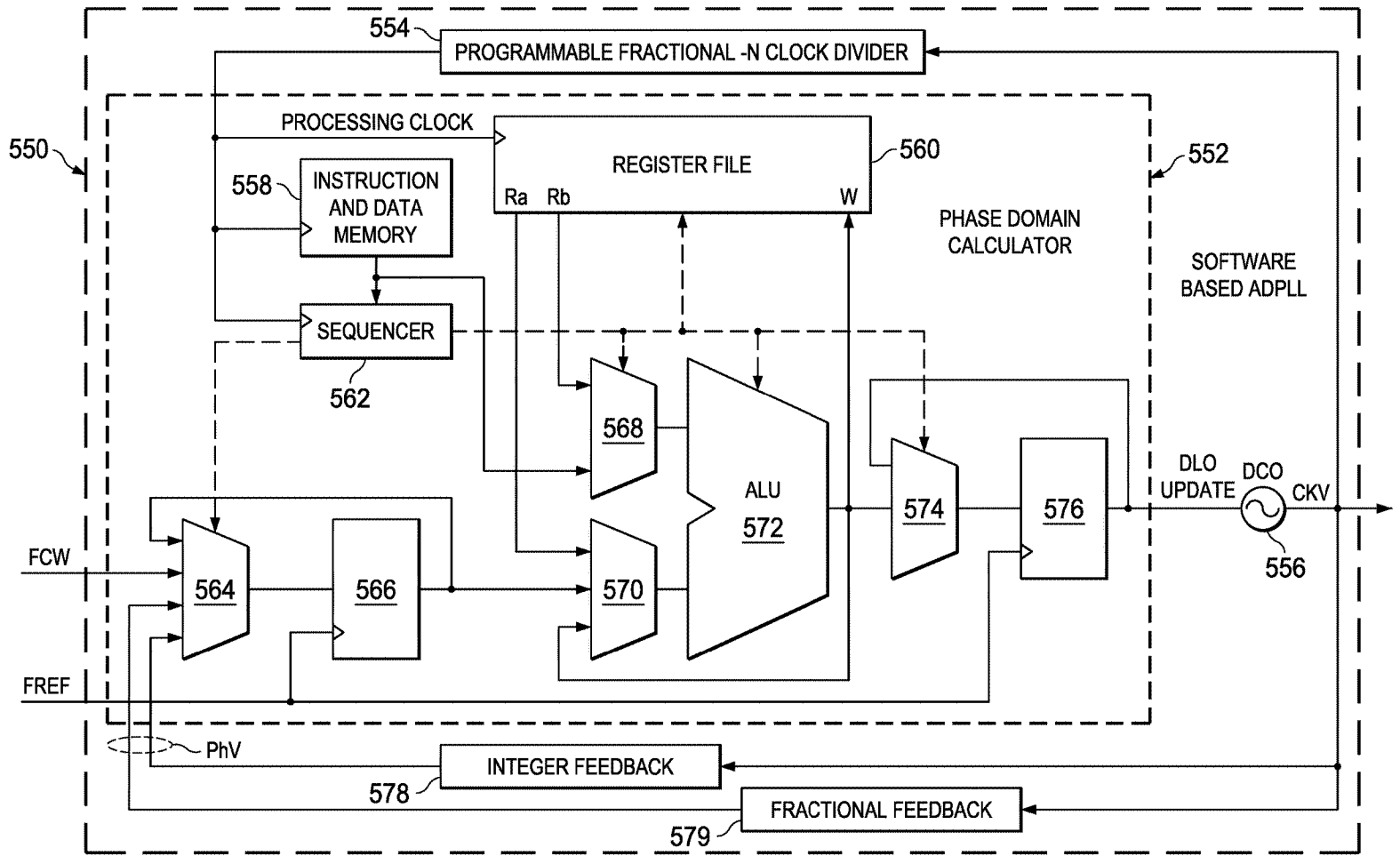


FIG. 23

FIG. 24



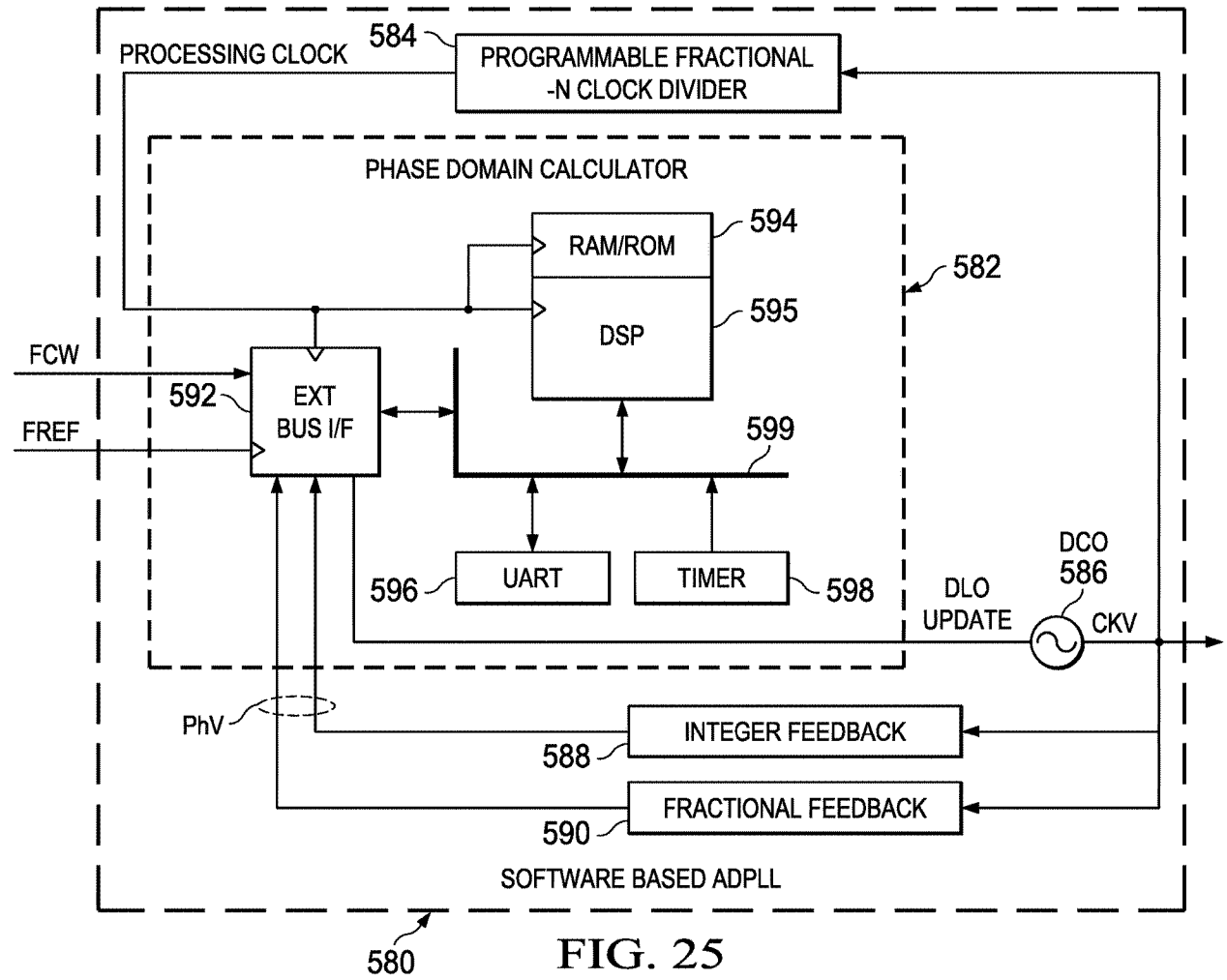


FIG. 25



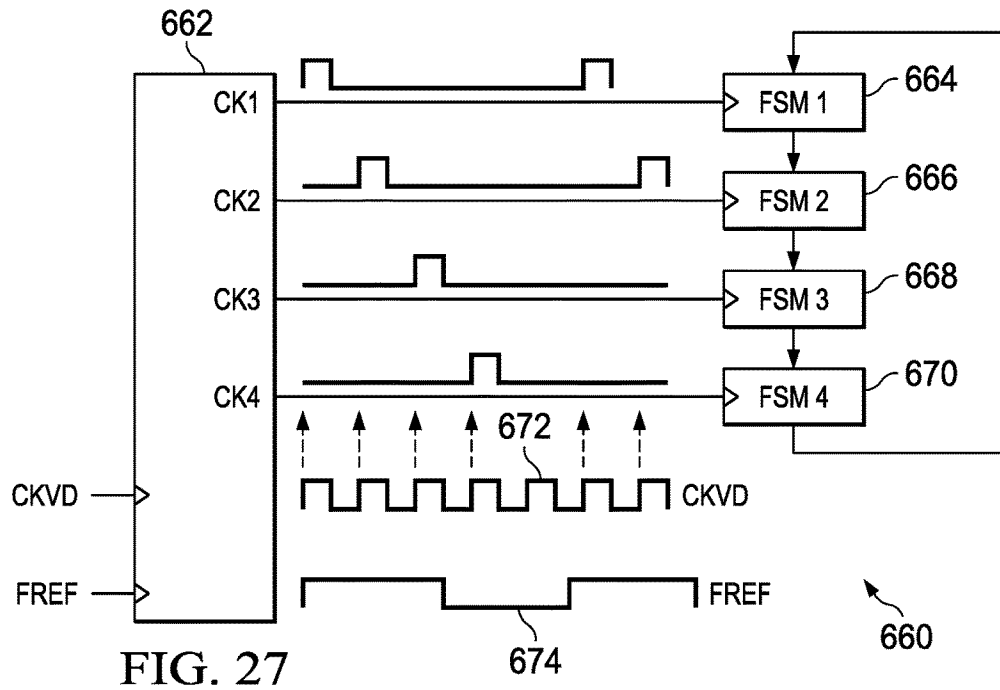


FIG. 27

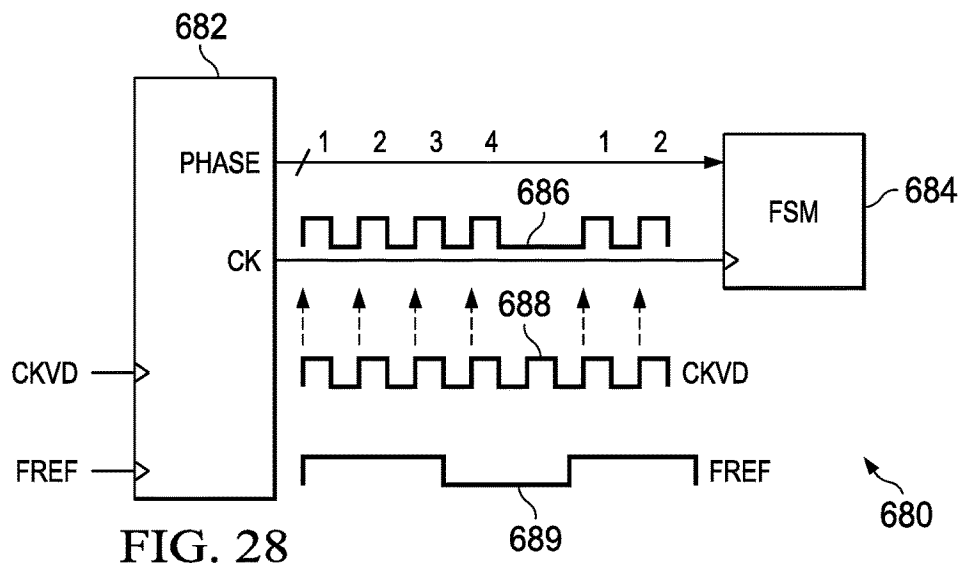


FIG. 28

## RECONFIGURABLE CALCULATION UNIT WITH ATOMIC COMPUTATION UNITS AND CONTROL INPUTS

### REFERENCE TO PRIORITY APPLICATION

This application is a divisional application of and claims priority to U.S. non-provisional application Ser. No. 15/269,245, filed Sep. 19, 2016, now U.S. Pat. No. 9,853,649, issued Dec. 26, 2017;

Which is a divisional application of and claims priority to U.S. non-provisional application Ser. No. 14/800,174, filed Jul. 15, 2015, now U.S. Pat. No. 9,473,155, granted Oct. 18, 2016;

Which is a divisional application of and claims priority to U.S. non-provisional application Ser. No. 13/680,441, filed Nov. 19, 2012, now U.S. Pat. No. 9,116,769, granted Aug. 25, 2015;

Which is a divisional application of and claims priority to U.S. non-provisional application Ser. No. 11/853,575, filed Sep. 11, 2007, now U.S. Pat. No. 8,321,489, granted Nov. 27, 2012;

which claims priority to U.S. Provisional Application Ser. No. 60/825,838, filed Sep. 15, 2006.

### FIELD OF THE INVENTION

The present invention relates to the field of data communications and more particularly relates to a software reconfigurable all digital phase locked loop (ADPLL) architecture and application specific instruction-set processor related thereto.

### BACKGROUND OF THE INVENTION

Phase locked loop (PLL) circuits are well known in the art. A block diagram illustrating an example prior art phase locked loop (PLL) circuit is shown in FIG. 1. The typical PLL circuit, generally referenced 170, comprises phase detector 172, loop filter or low pass filter (LPF) 174 and voltage controlled oscillator (VCO) 176.

In operation, a frequency reference clock signal, often derived from a crystal oscillator, is input to the phase detector along with the VCO output signal (often divided down). The phase detector, typically implemented as a charge pump or mixer, generates a phase error (PHE) proportional to the phase difference between the reference clock input signal and the VCO output clock signal. The resultant PHE signal is then low pass filtered to yield a slow varying frequency command signal that controls the frequency of the VCO. The frequency command signal is input to a VCO or digitally controlled oscillator (DCO) such that the VCO output frequency/phase is locked to the reference clock with a certain fixed relationship. This oscillator generates an RF signal whose frequency depends on the frequency command signal.

In wireless communication systems, e.g., GSM, UMTS, Bluetooth, WiFi, etc., the RF synthesizer is a fundamental block that is used to provide a high quality, high frequency RF carrier for the transmitter and a local oscillator clock for the receiver, whose output frequency can range from several hundreds of MHz to several GHz. Different applications with different standards require different RF frequencies with different RF performance requirements. The RF clock generating the RF carrier plays a critical role in the entire wireless communication system. The quality of the RF clock

directly affects the communication performance and often is the determining factor whether the system meets standards specifications.

Typically, the RF synthesizer is implemented using a phase locked loop (PLL) typically using a pure hardware (i.e. fixed hardware with limited reconfigurability) design approach. All digital phase locked loops (ADPLLs) for RF synthesizer construction targeting wireless communications are known in the art. Conventional ADPLL circuits, however, are implemented as purely fixed hardware based (or hardwired) with very limited reconfigurability. It is thus difficult for one design to support multi-standard wireless applications, e.g., GSM, GPRS, EDGE, WCDMA, etc. as well as wireless data networks, such as Bluetooth, WiFi and WiMAX.

Once a hardwired circuit design is committed to a physical implementation, there is little that can be changed regarding the transfer function or operation of the ADPLL. Any modification requiring logic and interconnect change results in numerous time consuming steps within the ASIC creation process (i.e. timing closure, physical design, etc.) typically requiring significant engineering resources and months of delay to launch a product. In addition, once the silicon is manufactured, any change to the ADPLL architecture makes an even costlier impact, making such changes virtually impractical.

In general, a main difference between a hardwired implementation and a microprocessor based implementation is that the microprocessor implementation uses shared hardware running at higher speed, while the hardwired implementation uses dedicated hardware running at lower speed. A block diagram illustrating an example prior art generalized processing block using a dedicated hardware implementation is shown in FIG. 2. The hardwired implementation, generally referenced 10, comprises a plurality of dedicated hardware blocks 12 for each function 14. The circuit provides memory (Mem1, Mem2, Mem3, Mem4) and dedicated hardware for each function (F1, F2, F3, F4), wherein each block runs at the data path speed  $f_s$ .

A block diagram illustrating an example prior art generalized processing block using a processor based implementation is shown in FIG. 3. The circuit, generally referenced 16, comprises instruction memory 18, instruction fetch 20, instruction decode 22, ALU 24, data bus 29, register file 26 and data memory 28. The processor based solution has one shared hardware block ALU that can be configured to execute any of the four functions (F1, F2, F3, F4). The ALU is programmed by the instructions stored in instruction memory 18 and the ALU is adapted to run four times faster ( $4f_s$ ) to complete the data processing within the data path speed of  $f_s$ .

It is important to note that the ALU 24 typically has a set of general purpose instructions which precludes its applicability in many applications, especially its use in RF synthesizer circuits.

With CMOS process technology currently advancing from 65 nm to 45 nm to 32 nm, transistors are becoming faster and faster. The interconnections, however, are becoming more and more dominant in SOC design regarding the delay and area contribution. The interconnections in a hardwired design having a large area will significantly slow the circuit speed while adding a significant silicon area overhead. Since processor based solutions run at higher speed with shared hardware, resulting in smaller area, advancements in semiconductor technology will make processor based solutions more and more attractive. This further favors

use of multiple but smaller processors with a dedicated instruction set rather than one processor with a more general instruction set.

Furthermore, in conventional ADPLL circuits, the digital part of local oscillator (DLO) (i.e. a portion of the ADPLL) is implemented using dedicated random logic gates. Thus, all computations are launched on the rising edge of the ADPLL system reference clock and latched on the next rising edge. Since a majority of the circuit switching activity is centered on the rising edge of the system reference clock, most of the digital current is being switched at that point as well, creating large current transients. These digital current surges find their way into on-chip DCO and PA circuit nodes via various coupling mechanisms, e.g., capacitive, etc. These disturbances at the system clock rate have strong sub-harmonics that are upconverted into sensitive areas of the RF spectrum, resulting in unacceptable RF spurs.

It is thus desirable to have a processor based PLL architecture that is software based and programmable. The programmable PLL should provide a reconfiguration capability which eases silicon debugging and development tasks and provides multi-standard operation capability. Further, the software based PLL architecture should create significantly lower current transients thus reducing the generation of spurs in the output spectrum. At the same time, the unavoidable spurious energy that is generated by the logic activity and coupled into RF circuits should be pushed higher in frequency where they lie outside of or can be easily filtered out of critical frequency bands.

#### SUMMARY OF THE INVENTION

The present invention is a novel and useful apparatus for and method of software based phase locked loop (PLL). The processor-based PLL (i.e. all digital phase-locked loop or ADPLL) architecture described herein can be used for RF frequency synthesis in radio transceivers and other applications.

The software based phase locked loop of the present invention incorporates a reconfigurable calculation unit (RCU) that can be programmed to sequentially perform all the atomic operations of a phase locked loop or any other desired task. The RCU is a key component in a so called application specific instruction-set processor (ASIP). The ASIP includes an instruction set that comprises instructions optimized to perform the individual atomic operations of a phase locked loop.

The reconfigurable computational unit (RCU) is time shared for all computations within the phase locked loop. The reconfigurable computational unit and related configuration control logic replaces the dedicated and distributed random logic inside the conventional digital PLL. The reconfigurable computational unit is controlled via microcode stored in on-chip memory (e.g., RAM or ROM). Since the computational unit is time shared among all operations, it is operated at an oversampled rate that is high enough to insure the proper implementation of the phase locked loop. In order to achieve this, the reconfigurable computational unit is optimized to perform all computations of the phase locked loop atomic operations within a single reference clock cycle.

In one embodiment, the instruction set is implemented in microcode that is stored in volatile or non-volatile memory. Thus, the ASIP can easily be reconfigured to implement customized designs for different applications, such as multiple cellular standards, including GSM, GPRS, EDGE, WCDMA, Bluetooth, WiFi, etc., as well as wireless data

network standards, including Bluetooth, WiFi, WiMAX, etc. The ASIP can be configured on the fly to handle the different RF frequency and performance requirements of each communication standard. The software based PLL of the present invention provides the flexibility for a more unified design that fits different applications.

In a second embodiment, the phase locked loop task is partitioned into a plurality of atomic operations. The ASIP is adapted to spread the computation of the atomic operations out over and completed within an entire PLL reference clock period. Each computation being performed at a much higher processor clock frequency than the PLL reference clock rate. This functions to significantly reduce the per cycle current transient generated by the computations. Further, the frequency content of the current transients is at the higher processor clock frequency. This results in a significant reduction in spurs within sensitive portions of the output spectrum.

An example application is provided of the software based phase locked loop incorporated in a single chip radio, e.g., Bluetooth, GSM, etc., that integrates the RF circuitry with the digital base band (DBB) circuitry on the same die.

Advantages of the software reconfigurable phase locked loop of the present invention include the following. Firstly, the invention enables all phase domain calculations to be performed within one reference clock cycle due to the use of the reconfigurable calculation unit optimized for performing PLL calculations serially at high frequency. Secondly, defining the ASIP instruction set in microcode stored in volatile or non-volatile memory makes it inherently software reconfigurable, permitting the microcode to be replaced without changing any lithography masks. The enables easier silicon debugging and multi-standard radio support.

Thirdly, the invention permits a significant reduction in silicon area. The invention trades the rate of operation for the amount of active implementation area required by the process of oversampling and function sharing. For an X factor increase in operational frequency, there is a complimentary X factor decrease in the required computational combinatorial logic area. An additional area is needed due to the overhead of computational unit multiplexing. While the storage area is constant, the net result is a significant reduction in overall implementation area required.

Fourthly, the invention enables a significant reduction of RF spurs in the sensitive frequency bands of a radio by changing the frequency of the switching logic gates. Prior art solutions perform PLL computations at relatively low rates, e.g., FREF of 26-38.8 MHz. The resulting switching current transients are mixed with the carrier and appear as frequency spurs at sensitive radio frequency bands. Considering GSM, for example, the most sensitive RX band is approximately 20 to 80 MHz away from the carrier. The invention performs the bulk of computations at oversampled rates, resulting in spurs outside sensitive regions. The amount of oversampling can be controlled (e.g., increased or decreased) to provide any desired frequency planning by changing the frequency of the processing clock. Fifthly, reduction in silicon area provided by the invention enables power routing and decoupling capacitance requirements to be relaxed.

Note that some aspects of the invention described herein may be constructed as software objects that are executed in embedded devices as firmware, software objects that are executed as part of a software application on either an embedded or non-embedded computer system such as a digital signal processor (DSP), microcomputer, minicomputer, microprocessor, etc. running a real-time operating system such as WinCE, Symbian, OSE, Embedded LINUX,

etc. or non-real time operating system such as Windows, UNIX, LINUX, etc., or as soft core realized HDL circuits embodied in an Application. Specific Integrated Circuit (ASIC) or Field Programmable Gate Array (FPGA), or as functionally equivalent discrete hardware components.

There is thus provided in accordance with the invention, a processor for use in a software based phase locked loop (PLL), comprising a first adder/subtractor operative to receive input data, a shifter operative to shift the output of the first adder/subtractor by a predetermined amount, a second adder/subtractor operative to receive the output of the shifter, a latch operative to store the output of the second adder/subtractor, a plurality of data paths connecting the first adder/subtractor, the shifter, the second adder/subtractor and the latch, the plurality of data paths configurable in accordance with one or more control signals and wherein the processor having an instruction set for controlling the first adder/subtractor, the shifter, the second adder/subtractor, the latch and the plurality of data paths.

There is also provided in accordance with the invention, a processor for use in a software based phase locked loop (PLL), comprising one or more computation units optimized for performing computations within a phase locked loop, wherein the one or more computation units are time-shared among all phase locked loop computations, data memory coupled to the one or more computation units, instruction memory coupled to the one or more computation units and operative to store instructions for implementing the phase locked loop, the instructions part of an instruction set and a decoder operative to generate one or more control signals for controlling the operation of the one or more computation units.

There is further provided in accordance with the invention, a processor based phase locked loop (PLL), comprising an oscillator operative to generate a radio frequency (RF) signal having a frequency determined in accordance with a tuning command input thereto, a processor operative to generate the tuning command, the processor comprising a reconfigurable calculation unit (RCU) operative to perform atomic operations required to implement the phase locked loop, data memory coupled to the reconfigurable calculation unit for storing phase locked loop state information, program memory coupled to the reconfigurable calculation unit for storing a plurality of instructions that when executed on the processor implement the phase locked loop and the processor having an instruction set, wherein each instruction is operative to perform an atomic operation of the phase locked loop.

There is also provided in accordance with the invention, a radio comprising a transmitter coupled to an antenna, the transmitter comprising a software based phase locked loop (PLL), the phase locked loop comprising an oscillator operative to generate a radio frequency (RF) signal having a frequency determined in accordance with a tuning command input thereto, a processor operative to generate the tuning command, the processor comprising a reconfigurable calculation unit (RCU) operative to perform atomic operations required to implement the phase locked loop, data memory coupled to the reconfigurable calculation unit for storing phase locked loop state information, program memory coupled to the reconfigurable calculation unit for storing a plurality of instructions that when executed on the processor implement the phase locked loop, the processor having an instruction set, wherein each instruction is operative to perform an atomic operation of the phase locked loop, a receiver coupled to the antenna and a baseband processor coupled to the transmitter and the receiver.

## BRIEF DESCRIPTION OF THE DRAWINGS

The invention is herein described, by way of example only, with reference to the accompanying drawings, wherein:

FIG. 1 is a block diagram illustrating a simplified block diagram of an example prior art phase locked loop (PLL) circuit;

FIG. 2 is a block diagram illustrating an example prior art generalized processing block using a dedicated hardware implementation;

FIG. 3 is a block diagram illustrating an example prior art generalized processing block using a processor based implementation;

FIG. 4 is a block diagram illustrating a single chip polar transceiver radio incorporating a software based ADPLL mechanism of the present invention;

FIG. 5 is a simplified block diagram illustrating an example mobile communication device incorporating the software based ADPLL mechanism of the present invention;

FIG. 6 is a block diagram illustrating functions of an example ADPLL-based polar transmitter suitable for use with the present invention;

FIG. 7 is a simplified block diagram illustrating an embodiment of the software based ADPLL incorporating a processor based phase domain calculator;

FIG. 8 is a block diagram illustrating an example embodiment of the phase domain calculator of the present invention in more detail;

FIG. 9 is a timing diagram illustrating the processing clock and reference frequency timing;

FIG. 10 is a block diagram illustrating an instruction view of the software based ADPLL architecture of the present invention;

FIG. 11 is a block diagram illustrating an example processor based software ADPLL architecture of the present invention;

FIG. 12A is a diagram illustrating the output and transfer function equations for the infinite impulse response (IIR) filter portion of the ADPLL;

FIG. 12B is an equivalent block diagram implementing the output equation shown in FIG. 12A;

FIG. 12C is an equivalent block diagram implementing the output equation shown in FIG. 12A whereby the multiplication operations have been replaced with shift operations;

FIG. 12D is a diagram illustrating the resultant reconfigurable calculation unit (RCU) implementing the output equation shown in FIG. 12A;

FIG. 13 is a block diagram illustrating an example RCU unit for implementing the ADPLL circuit;

FIG. 14 is a block diagram illustrating the RCU unit for implementing the F\_Diff( ) instruction;

FIG. 15 is a block diagram illustrating the RCU unit for implementing the F\_PheAcc( ) instruction;

FIG. 16 is a block diagram illustrating the RCU unit for implementing the F\_IIR( ) instruction;

FIG. 17 is a block diagram illustrating the RCU unit for implementing the F\_SHR( ) instruction;

FIG. 18 is a block diagram illustrating the RCU unit for implementing the F\_IntAcc( ) instruction;

FIG. 19 is a block diagram illustrating the RCU unit for implementing the F\_SHRAdd( ) instruction;

FIG. 20 is a timing diagram illustrating several ADPLL processing clock options and the current spikes resulting therefrom;



FIG. 21 is a timing diagram illustrating an example RF spectrum generated by a legacy ADPLL;

FIG. 22 is a timing diagram illustrating an example RF spectrum generated by the software based ADPLL of the present invention;

FIG. 23 is a flow diagram illustrating the RF spur reduction method of the present invention;

FIG. 24 is a block diagram illustrating an example ASIP based implementation of the software ADPLL of the present invention;

FIG. 25 is a block diagram illustrating an example DSP based implementation of the software ADPLL of the present invention;

FIG. 26 is a block diagram illustrating an example hardware state machine based implementation of the software ADPLL of the present invention;

FIG. 27 is a block diagram illustrating a first example implementation of the state machine used to implement the software ADPLL of the present invention; and

FIG. 28 is a block diagram illustrating a second example implementation of the state machine used to implement the software ADPLL of the present invention.

DETAILED DESCRIPTION OF THE INVENTION

Notation Used Throughout

The following notation is used throughout this document.

Term	Definition
AC	Alternating Current
ACL	Asynchronous Connectionless Link
ACW	Amplitude Control Word
ADC	Analog to Digital Converter
ADPLL	All Digital Phase Locked Loop
ALU	Arithmetic Logic Unit
AM	Amplitude Modulation
ASIC	Application Specific Integrated Circuit
ASIP	Application Specific Instruction-set Processor
AVI	Audio Video Interface
AWS	Advanced Wireless Services
BIST	Built-In Self Test
BMP	Windows Bitmap
BPF	Band Pass Filter
CMOS	Complementary Metal Oxide Semiconductor
CPU	Central Processing Unit
CU	Control Unit
CW	Continuous Wave
DAC	Digital to Analog Converter
dB	Decibel
DBB	Digital Baseband
DC	Direct Current
DCO	Digitally Controlled Oscillator
DCXO	Digitally Controlled Crystal Oscillator
DPA	Digitally Controlled Power Amplifier
DRAC	Digital to RF Amplitude Conversion
DRP	Digital RF Processor or Digital Radio Processor
DSL	Digital Subscriber Line
DSP	Digital Signal Processor
EDGE	Enhanced Data Rates for GSM Evolution
EDR	Enhanced Data Rate
EEPROM	Electrically Erasable Programmable Read Only Memory
EPROM	Erasable Programmable Read Only Memory
eSCO	Extended Synchronous Connection-Oriented
FCC	Federal Communications Commission
FCW	Frequency Command Word
FIB	Focused Ion Beam
FM	Frequency Modulation
FPGA	Field Programmable Gate Array
FSM	Finite State Machine
GMSK	Gaussian Minimum Shift Keying

-continued

Term	Definition
5 GPRS	General Packet Radio Service
GPS	Global Positioning System
GSM	Global System for Mobile communications
HB	High Band
HDL	Hardware Description Language
HFP	Hands Free Protocol
I/F	Interface
10 IC	Integrated Circuit
IEEE	Institute of Electrical and Electronics Engineers
IIR	Infinite Impulse Response
JPG	Joint Photographic Experts Group
LAN	Local Area Network
LB	Low Band
15 LDO	Low Drop Out
LNA	Low Noise Amplifier
LO	Local Oscillator
LPF	Low Pass Filter
MAC	Media Access Control
MAP	Media Access Protocol
MBOA	Multiband OFDM Alliance
20 MIM	Metal Insulator Metal
Mod	Modulo
MOS	Metal Oxide Semiconductor
MP3	MPEG-1 Audio Layer 3
MPG	Moving Picture Experts Group
MUX	Multiplexer
25 NZIF	Near Zero IF
OFDM	Orthogonal Frequency Division Multiplexing
PA	Power Amplifier
PAN	Personal Area Network
PC	Personal Computer
30 PCI	Personal Computer Interconnect
PD	Phase Detector
PDA	Personal Digital Assistant
PE	Phase Error
PHE	Phase Error
PLL	Phase Locked Loop
35 PM	Phase Modulation
PPA	Pre-Power Amplifier
QoS	Quality of Service
RAM	Random Access Memory
RCU	Reconfigurable Calculation Unit
RF	Radio Frequency
40 RFBIST	RF Built-In Self Test
RMS	Root Mean Squared
ROM	Read Only Memory
SAM	Sigma-Delta Amplitude Modulation
SAW	Surface Acoustic Wave
SCO	Synchronous Connection-Oriented
45 SEM	Spectral Emission Mask
SIM	Subscriber Identity Module
SoC	System on Chip
SRAM	Static Read Only Memory
SYNTH	Synthesizer
TDC	Time to Digital Converter
50 TDD	Time Division Duplex
TV	Television
UART	Universal Asynchronous Transmitter/Receiver
UGS	Unsolicited Grant Services
UMTS	Universal Mobile Telecommunications System
USB	Universal Serial Bus
55 UWB	Ultra Wideband
VCO	Voltage Controlled Oscillator
WCDMA	Wideband Code Division Multiple Access
WiFi	Wireless Fidelity
WiMAX	Worldwide Interoperability for Microwave Access
WiMedia	Radio platform for UWB
60 WLAN	Wireless Local Area Network
WMA	Windows Media Audio
WMAN	Wireless Metropolitan Area Network
WMV	Windows Media Video
WPAN	Wireless Personal Area Network
XOR	Exclusive Or
65 ZIF	Zero IF

DETAILED DESCRIPTION OF THE  
INVENTION

The present invention is a novel and useful apparatus for and method of software based phase locked loop (PLL). The processor-based (or software-based) PLL (i.e. all digital phase-locked loop or ADPLL) architecture can be used for RF frequency synthesis in radio transceivers and other applications. The software based phase locked loop of the present invention incorporates a reconfigurable calculation unit (RCU) that is programmed to sequentially perform all the atomic operations of a phase locked loop or of any other desired task. The RCU is a key component in an application specific instruction-set processor (ASIP). The ASIP includes an instruction set that comprises instructions optimized to perform the individual atomic operations of a phase locked loop.

An example application is provided of the software based phase locked loop incorporated in a single chip radio, e.g., Bluetooth, GSM, etc., that integrates the RF circuitry with the digital base band (DBB) circuitry on the same die.

Although the software based phase locked loop mechanism is applicable to numerous wireless communication standards and can be incorporated in numerous types of wireless or wired communication devices such a multimedia player, mobile station, cellular phone, PDA, DSL modem, WPAN device, etc., it is described in the context of a digital RF processor (DRP) based transceiver that may be adapted to comply with a particular wireless communications standard such as GSM, Bluetooth, EDGE, WCDMA, WLAN, WiMax, etc. It is appreciated, however, that the invention is not limited to use with any particular communication standard and may be used in optical, wired and wireless applications. Further, the invention is not limited to use with a specific modulation scheme but is applicable to numerous modulation schemes.

Note that throughout this document, the term communications device is defined as any apparatus or mechanism adapted to transmit, receive or transmit and receive data through a medium. The term communications transceiver or communications device is defined as any apparatus or mechanism adapted to transmit and receive data through a medium. The communications device or communications transceiver may be adapted to communicate over any suitable medium, including wireless or wired media. Examples of wireless media include RF, infrared, optical, microwave, UWB, Bluetooth, WiMAX, WiMedia, WiFi, or any other broadband medium, etc. Examples of wired media include twisted pair, coaxial, optical fiber, any wired interface (e.g., USB, Firewire, Ethernet, etc.). The term Ethernet network is defined as a network compatible with any of the IEEE 802.3 Ethernet standards, including but not limited to 10Base-T, 100Base-T or 1000Base-T over shielded or unshielded twisted pair wiring. The terms communications channel, link and cable are used interchangeably. The notation DRP is intended to denote either a Digital RF Processor or Digital Radio Processor. References to a Digital RF Processor infer a reference to a Digital Radio Processor and vice versa.

The term multimedia player or device is defined as any apparatus having a display screen and user input means that is capable of playing audio (e.g., MP3, WMA, etc.), video (AVI, MPG, WMV, etc.) and/or pictures (JPG, BMP, etc.). The user input means is typically formed of one or more manually operated switches, buttons, wheels or other user input means. Examples of multimedia devices include

pocket sized personal digital assistants (PDAs), personal media player/recorders, cellular telephones, handheld devices, and the like.

Some portions of the detailed descriptions which follow are presented in terms of procedures, logic blocks, processing, steps, and other symbolic representations of operations on data bits within a computer memory. These descriptions and representations are the means used by those skilled in the data processing arts to most effectively convey the substance of their work to others skilled in the art. A procedure, logic block, process, etc., is generally conceived to be a self-consistent sequence of steps or instructions leading to a desired result. The steps require physical manipulations of physical quantities. Usually, though not necessarily, these quantities take the form of electrical or magnetic signals capable of being stored, transferred, combined, compared and otherwise manipulated in a computer system. It has proven convenient at times, principally for reasons of common usage, to refer to these signals as bits, bytes, words, values, elements, symbols, characters, terms, numbers, or the like.

It should be born in mind that all of the above and similar terms are to be associated with the appropriate physical quantities they represent and are merely convenient labels applied to these quantities. Unless specifically stated otherwise as apparent from the following discussions, it is appreciated that throughout the present invention, discussions utilizing terms such as 'processing,' 'computing,' 'calculating,' 'determining,' 'displaying' or the like, refer to the action and processes of a computer system, or similar electronic computing device, that manipulates and transforms data represented as physical (electronic) quantities within the computer system's registers and memories into other data similarly represented as physical quantities within the computer system memories or registers or other such information storage, transmission or display devices.

The invention can take the form of an entirely hardware embodiment, an entirely general-purpose software embodiment or an embodiment containing a combination of hardware and software elements. In one embodiment, a portion of the mechanism of the invention is implemented in software, which includes but is not limited to firmware, resident software, object code, assembly code, microcode, etc.

Furthermore, the invention can take the form of a computer program product accessible from a computer-usable or computer-readable medium providing program code for use by or in connection with a computer or any instruction execution system. For the purposes of this description, a computer-usable or computer readable medium is any apparatus that can contain, store, communicate, propagate, or transport the program for use by or in connection with the instruction execution system, apparatus, or device, e.g., floppy disks, removable hard drives, computer files comprising source code or object code, flash semiconductor memory (USB flash drives, etc.), ROM, EPROM, or other semiconductor memory devices.

## Single Chip Radio

A block diagram illustrating a single chip radio incorporating a software based ADPLL mechanism of the present invention is shown in FIG. 4. For illustration purposes only, the transmitter, as shown, is adapted for the GSM/EDGE/WCDMA cellular standards. It is appreciated, however, that one skilled in the communication arts can adapt the transmitter and receiver illustrated herein to other modulations

and communication standards as well without departing from the spirit and scope of the present invention.

The radio, generally referenced **30**, comprises a radio integrated circuit **31** coupled to a crystal **38**, RF front end module **46** coupled to an antenna **44**, and battery management circuit **32** coupled to battery **68**. The radio chip **31** comprises a script processor **60**, digital baseband (DBB) processor **61**, memory **62** (e.g., static RAM), TX block **42**, RX block **58**, digitally controlled crystal oscillator (DCXO) **50**, slicer **51**, power management unit **34** and RF built-in self test (BIST) **36**. The TX block comprises high speed and low speed digital logic block **40** including  $\Sigma\Delta$  modulators (not shown), phase domain calculator (ASIP) **52**, digitally controlled oscillator (DCO) **56**, accumulator **59**, sampler **69** and digitally controlled power amplifier (DPA) **48**. The RX block comprises a low noise transconductance amplifier **63**, current sampler **64**, discrete time processing block **65**, analog to digital converter (ADC) **66** and digital logic block **67**.

The principles presented herein have been used to develop three generations of a Digital RF Processor (DRP): single-chip Bluetooth, GSM and GSM/EDGE radios realized in 130 nm, 90 nm and 65 nm digital CMOS process technologies, respectively. This architecture is also used as the foundation for a UMTS single-chip radio manufactured using a 45 nm CMOS process. The common architecture is highlighted with features added specific to the cellular radio. The all digital phase locked loop (ADPLL) based transmitter employs a polar architecture with all digital phase/frequency and amplitude modulation paths. The receiver employs a discrete-time architecture in which the RF signal is directly sampled and processed using analog and digital signal processing techniques.

A key component is the digitally controlled oscillator (DCO) **56**, which avoids any analog tuning controls. A digitally-controlled crystal oscillator (DCXO) generates a high-quality base station-synchronized frequency reference such that the transmitted carrier frequencies and the received symbol rates are accurate to within 0.1 ppm. Fine frequency resolution for both DCO and DCXO is achieved through high-speed  $\Sigma\Delta$  dithering of their varactors. Digital logic built around the DCO realizes an all-digital PLL (ADPLL) that is used as a local oscillator for both the transmitter and receiver. The polar transmitter architecture utilizes the wide-band direct frequency modulation capability of the ADPLL and a digitally controlled power amplifier (DPA) **48** for the amplitude modulation. The DPA operates in near-class-E mode and uses an array of nMOS transistor switches to regulate the RF amplitude. It is followed by a matching network and an external front-end module **46**, which comprises a power amplifier (PA), a transmit/receive switch for the common antenna **44** and RX surface acoustic wave (SAW) filters. Fine amplitude resolution is achieved through high-speed  $\Sigma\Delta$  dithering of the DPA nMOS transistors.

The receiver **58** employs a discrete-time architecture in which the RF signal is directly sampled at the Nyquist rate of the RF carrier and processed using analog and digital signal processing techniques. The transceiver is integrated with a script processor **60**, dedicated digital base band processor **61** (i.e. ARM family processor and/or DSP) and SRAM memory **62**. The script processor handles various TX and RX calibration, compensation, sequencing and lower-rate data path tasks and encapsulates the transceiver complexity in order to present a much simpler software programming model.

The frequency reference (FREF) is generated on-chip by a 26 MHz (or any other desired frequency, such as 13 or 38.4

MHz) digitally controlled crystal oscillator (DCXO) **50**, which provides negative resistance to sustain the oscillations. The output of the DCXO is coupled to slicer **51**. The output of the slicer is input to the phase domain calculator which comprises a software based PLL in accordance with the invention and described in more detail infra.

An integrated power management (PM) system **34** is connected to an external battery management circuit **32** that conditions and stabilizes the supply voltage. The PM comprises multiple low drop out (LDO) regulators that provide internal supply voltages and also isolate supply noise between circuits, especially protecting the DCO. The RF built-in self-test (RFBIST) **36** performs autonomous phase noise and modulation distortion testing, various loopback configurations for bit-error rate measurements and implements the DPA calibration and BIST mechanism. The transceiver is integrated with the digital baseband, SRAM memory in a complete system-on-chip (SoC) solution. Almost all the clocks on this SoC are derived from and are synchronous to the RF oscillator clock. This helps to reduce susceptibility to the noise generated through clocking of the massive digital logic.

The transmitter comprises a polar architecture in which the amplitude and phase/frequency modulations are implemented in separate paths. Transmitted symbols generated in the digital baseband (DBB) processor are first pulse-shape filtered in the Cartesian coordinate system. The filtered in-phase (I) and quadrature (Q) samples are then converted through a CORDIC algorithm into amplitude and phase samples of the polar coordinate system. The phase is then differentiated to obtain frequency deviation. The polar signals are subsequently conditioned through signal processing to sufficiently increase the sampling rate in order to reduce the quantization noise density and lessen the effects of the modulating spectrum replicas.

A more detailed description of the operation of the ADPLL can be found in U.S. Patent Publication No. 2006/0033582A1, published Feb. 16, 2006, to Staszewski et al., entitled "Gain Calibration of a Digital Controlled Oscillator," U.S. Patent Publication No. 2006/0038710A1, published Feb. 23, 2006, Staszewski et al., entitled "Hybrid Polar/Cartesian Digital Modulator" and U.S. Pat. No. 6,809,598, to Staszewski et al., entitled "Hybrid Of Predictive And Closed-Loop Phase-Domain Digital PLL Architecture," all of which are incorporated herein by reference in their entirety.

#### Mobile Device/Cellular Phone/PDA System

A simplified block diagram illustrating an example mobile communication device incorporating the software based ADPLL mechanism of the present invention is shown in FIG. 5. The communication device may comprise any suitable wired or wireless device such as a multimedia player, mobile station, mobile device, cellular phone, PDA, wireless personal area network (WPAN) device, Bluetooth EDR device, etc. For illustration purposes only, the communication device is shown as a cellular phone or smart phone. Note that this example is not intended to limit the scope of the invention as the software based ADPLL mechanism of the present invention can be implemented in a wide variety of wireless and wired communication devices.

The cellular phone, generally referenced **70**, comprises a baseband processor or CPU **71** having analog and digital portions. The basic cellular link is provided by the RF transceiver **94** and related one or more antennas **96**, **98**. A plurality of antennas is used to provide antenna diversity

which yields improved radio performance. The cell phone also comprises internal RAM and ROM memory **110**, Flash memory **112** and external memory **114**.

In accordance with the invention, the RF transceiver **94** comprises the software reconfigurable ADPLL of the present invention. In operation, the software reconfigurable ADPLL mechanism may be implemented as dedicated hardware, as software executed as a task on the baseband processor **71** or dedicated processor or a combination of hardware and software. Implemented as a software task, the program code operative to implement the software reconfigurable ADPLL mechanism of the present invention is stored in one or more memories **110**, **112**, **114** or in on-chip volatile or non-volatile memory.

Several user interface devices include microphone **84**, speaker **82** and associated audio codec **80**, a keypad for entering dialing digits **86**, vibrator **88** for alerting a user, camera and related circuitry **100**, a TV tuner **102** and associated antenna **104**, display **106** and associated display controller **108** and GPS receiver **90** and associated antenna **92**.

A USB interface connection **78** provides a serial link to a user's PC or other device. An FM receiver **72** and antenna **74** provide the user the ability to listen to FM broadcasts. WLAN radio and interface **76** and antenna **77** provide wireless connectivity when in a hot spot or within the range of an ad hoc, infrastructure or mesh based wireless LAN network. A Bluetooth EDR radio and interface **73** and antenna **75** provide Bluetooth wireless connectivity when within the range of a Bluetooth wireless network. Further, the communication device **70** may also comprise a WiMAX radio and interface **123** and antenna **125**. SIM card **116** provides the interface to a user's SIM card for storing user data such as address book entries, etc. The communication device **70** also comprises an Ultra Wideband (UWB) radio and interface **83** and antenna **81**. The UWB radio typically comprises an MBOA-UWB based radio.

Portable power is provided by the battery **124** coupled to battery management circuitry **122**. External power is provided via USB power **118** or an AC/DC adapter **120** connected to the battery management circuitry which is operative to manage the charging and discharging of the battery **124**.

#### Example ADPLL Polar Transmitter

A block diagram illustrating an example ADPLL-based polar transmitter for wireless applications is shown in FIG. **6**. The example ADPLL shown is used as the basis for a software based ADPLL mechanism described in more detail infra. A more detailed description of the operation of the ADPLL can be found in U.S. Patent Publication No. 2006/0033582A1, published Feb. 16, 2006, to Staszewski et al., entitled "Gain Calibration of a Digital Controlled Oscillator," U.S. Patent Publication No. 2006/0038710A1, published Feb. 23, 2006, Staszewski et al., entitled "Hybrid Polar/Cartesian Digital Modulator" and U.S. Pat. No. 6,809,598, to Staszewski et al., entitled "Hybrid Of Predictive And Closed-Loop Phase-Domain Digital PLL Architecture," all of which are incorporated herein by reference in their entirety.

For illustration purposes only, the transmitter, as shown, is adapted for the GSM/EDGE/WCDMA cellular standards. It is appreciated, however, that one skilled in the communication arts can adapt the transmitter illustrated herein to

other modulations and communication standards as well without departing from the spirit and scope of the present invention.

The transmitter, generally referenced **130**, is well-suited for a deep-submicron CMOS implementation. The transmitter comprises a complex pulse shaping filter **168**, amplitude modulation (AM) block **169** and ADPLL **132**. The circuit **130** is operative to perform complex modulation in the polar domain in addition to the generation of the local oscillator (LO) signal for the receiver. All clocks in the system are derived directly from this source. Note that the transmitter is constructed using digital techniques that exploit the high speed and high density of the advanced CMOS, while avoiding problems related to voltage headroom. The ADPLL circuit replaces a conventional RF synthesizer architecture (based on a voltage-controlled oscillator (VCO) and a phase/frequency detector and charge-pump combination), with a digitally controlled oscillator (DCO) **148** and a time-to-digital converter (TDC) **162**. All inputs and outputs are digital and some even at multi-GHz frequency.

The core of the ADPLL is a digitally controlled oscillator (DCO) **148** adapted to generate the RF oscillator clock CKV. The oscillator core (not shown) operates at a multiple of the 1.6-2.0 GHz (e.g., 4) high band frequency or at a multiple of the 0.8-1.0 GHz low band frequency (e.g., 8). Note that typically, the multiple is a power-of-two but any other suitable integer or even fractional frequency relationship may be advantageous. The output of the DCO is then divided for precise generation of RX quadrature signals, and for use as the transmitter's carrier frequency. The single DCO is shared between transmitter and receiver and is used for both the high frequency bands (HB) and the low frequency bands (LB). In addition to the integer control of the DCO, at least 3-bits of the minimal varactor size used are dedicated for  $\Sigma\Delta$  dithering in order to improve frequency resolution. The DCO comprises a plurality of varactor banks, which may be realized as n-poly/n-well inversion type MOS capacitor (MOSCAP) devices or Metal Insulator Metal (MIM) devices that operate in the flat regions of their C-V curves to assist digital control. The output of the DCO is a modulated digital signal at  $f_{RF}$ . This signal is input to the pre-power amplifier (PPA) **152**. It is also input to the RF low band pre-power amplifier **154** after divide by two via divider **150**.

The expected variable frequency  $f_V$  is related to the reference frequency  $f_R$  by the frequency command word (FCW).

$$FCW[k] = \frac{E(f_V[k])}{f_R} \quad (1)$$

The FCW is time variant and is allowed to change with every cycle  $T_R=1/f_R$  of the frequency reference clock. With  $W_F=24$  the word length of the fractional part of FCW, the ADPLL provides fine frequency control with 1.5 Hz accuracy, according to:

$$\Delta f_{res} = \frac{f_R}{2^{W_F}} \quad (2)$$

The number of integer bits  $W_I=8$  has been chosen to fully cover the GSM/EDGE and partial WCDMA band frequency range of  $f_V=1,600$ -2,000 MHz with an arbitrary reference frequency  $f_R \geq 8$  MHz.

15

The ADPLL operates in a digitally-synchronous fixed-point phase domain as follows: The variable phase accumulator **156** determines the variable phase  $R_V[i]$  by counting the number of rising clock transitions of the DCO oscillator clock CKV as expressed below.

$$R_V[i] = \sum_{t=0}^i 1 \quad (3)$$

The index  $i$  indicates the DCO edge activity. The variable phase  $R_V[i]$  is sampled via sampler **158** to yield sampled FREF variable phase  $R_V[k]$ , where  $k$  is the index of the FREF edge activity. The sampled FREF variable phase  $R_V[k]$  is fixed-point concatenated with the normalized time-to-digital converter (TDC) **162** output  $\epsilon[k]$ . The TDC measures and quantizes the time differences between the frequency reference FREF and the DCO clock edges. The sampled differentiated (via block **160**) variable phase is subtracted from the frequency command word (FCW) by the digital frequency detector **138**. The frequency error  $f_E[k]$  samples

$$f_E[k] = \text{FCW} - [(R_V[k] - \epsilon[k]) - (R_V[k-1] - \epsilon[k-1])] \quad (4)$$

are accumulated via the frequency error accumulator **140** to create the phase error  $\phi_E[k]$  samples

$$\phi_E[k] = \sum_{t=0}^k f_E[t] \quad (5)$$

which are then filtered by a fourth order IIR loop filter **142** and scaled by a proportional loop attenuator  $\alpha$ . A parallel feed with coefficient  $\rho$  adds an integrated term to create type-II loop characteristics which suppress the DCO flicker noise.

The IIR filter is a cascade of four single stage filters, each satisfying the following equation:

$$y[k] = (1-\lambda) \cdot y[k-1] + \lambda \cdot x[k] \quad (6)$$

wherein

$x[k]$  is the current input;

$y[k]$  is the current output;

$k$  is the time index;

$\lambda$  is the configurable coefficient;

The 4-pole IIR loop filter attenuates the reference and TDC quantization noise with an 80 dB/dec slope, primarily to meet the GSM/EDGE spectral mask requirements at 400 kHz offset. The filtered and scaled phase error samples are then multiplied by the DCO gain  $K_{DCO}$  normalization factor  $f_R/\hat{K}_{DCO}$  via multiplier **146**, where  $f_R$  is the reference frequency and  $\hat{K}_{DCO}$  is the DCO gain estimate, to make the loop characteristics and modulation independent from  $K_{DCO}$ . The modulating data is injected into two points of the ADPLL for direct frequency modulation, via adders **136** and **144**. A hitless gear-shifting mechanism for the dynamic loop bandwidth control serves to reduce the settling time. It changes the loop attenuator  $\alpha$  several times during the frequency locking while adding the  $(\alpha_1/\alpha_2 - 1)\phi_1$  dc offset to the phase error, where indices **1** and **2** denote before and after the event, respectively. Note that  $\phi_1 = \phi_2$ , since the phase is to be continuous.

The frequency reference FREF is input to the retimer **166** and provides the clock for the TDC **162**. The FREF input is resampled by the RF oscillator clock CKV via retimer block

16

**166** which may comprise a flip flop or register clocked by the reference frequency FREF. The resulting retimed clock (CKR) is distributed and used throughout the system. This ensures that the massive digital logic is clocked after the quiet interval of the phase error detection by the TDC. Note that in the example embodiment described herein, the ADPLL is a discrete-time sampled system implemented with all digital components connected with all digital signals.

#### Software Based ADPLL Architecture

A simplified block diagram illustrating an embodiment of the software based ADPLL incorporating a processor based phase domain calculator is shown in FIG. 7. The ADPLL circuit, generally referenced **180**, comprises a phase domain calculator **184**, DCO **186**, integer feedback block **188**, fractional feedback block **189** and programmable fractional-N clock divider **182**.

In operation, the phase domain calculator replaces the conventional ADPLL circuit with a software based ADPLL. As with the conventional ADPLL, it is operative to generate the DLO update that is input to the DCO **186** which in turn generates the RF output frequency clock CKV. The phase domain calculator receives the FCW commands, variable phase information (i.e. integer and fractional feedback) and the reference frequency clock FREF, which typically ranges between 13 and 52 MHz. The processing clock output of the programmable clock divider **182** runs at a frequency significantly higher than FREF, such as in the range 200 to 600 MHz, for example.

In accordance with the invention, the phase domain calculator performs the ADPLL operations serially rather than in parallel. In order to complete the ADPLL computation within reference clock cycle, the much faster processor clock is used to clock the phase domain calculator internal circuitry.

The solution uses a reconfigurable computational unit (RCU) or ALU (described infra) that is time shared for most or all computations within the ADPLL. The RCU and its related configuration control logic (constituting a special purpose microcomputer) replaces the dedicated and distributed random logic within a conventional ADPLL. The RCU is controlled via microcode stored in on-chip memory such as random access memory (RAM), read only memory (ROM), Flash memory, etc. Since the computational unit is time shared among most operations, it is operated at a much higher clock rate than the conventional ADPLL which performs all calculations in parallel using dedicated hardware circuits. The RCU circuitry is optimized to perform all the required ADPLL atomic computations within one reference clock cycle.

A block diagram illustrating an example embodiment of the phase domain calculator of the present invention in more detail is shown in FIG. 8. The phase domain calculator, generally referenced **190**, comprises an ALU (or RCU) **202**, instruction and data memory **192**, register file **194**, sequencer **196**, latches **208**, **206**, multiplexers **209**, **198**, **200**, **204**.

The instructions for implementing the ADPLL operation are stored in the instruction memory. Instructions are input to the sequencer which performs the instruction decoding and generates the appropriate signals to execute each instruction. The register file stores intermediate values calculated by the ALU.

A timing diagram illustrating the processing clock and reference frequency timing is shown in FIG. 9. As shown,

the processing clock **210**, used to clock the memory, sequencer and register file, is at a significantly higher clock rate than the reference clock FREF **212**. This is required in order the complete an operation cycle of the ADPLL within a single reference clock period.

A block diagram illustrating an instruction view of the software based ADPLL architecture of the present invention is shown in FIG. **10**. The circuit, generally referenced **220**, comprises a phase calculation unit **222**, gain normalization **238**, DCO **240**, gain calibration **242**, accumulator **244** and variable phase sampler **246**. The phase calculation unit shows an instruction view of the ADPLL architecture performed in software. In particular, the phase calculation unit **222** comprises a phase detector **224**, frequency error accumulator **226**, IIR loop filter **228**, a proportional gain multiplier **230**, IIR filter **232**, adder **234**, integral gain multiplier **236**, offset phase error adder **248**, phase error accumulator **250** and integral or p gain multiplier **252**. Both proportional and integral multipliers preferably use power-of-two arithmetic so that their respective multipliers could be implemented as bit-shift operators. For non-power-of-two arithmetic, full multipliers can be used with the consequent increase in circuit cost and complexity.

The ADPLL circuit shown is an ADPLL architecture that is commonly used in wireless applications for RF frequency generation. In this digital architecture, the traditional VCO is replaced with a digitally controlled oscillator (DCO) and the oscillating frequency of the DCO is controlled by a frequency command word (FCW) instead of the reference clock, as described in detail supra. The phase detecting and filtering parts are all digital with intensive digital signal processing involved as highlighted.

In operation, the ADPLL operation is partitioned into a plurality of atomic operations, wherein each atomic operation performs a complete processing step within the ADPLL. For example, an adding operation representing adder **224** comprises one atomic operation. Similarly, accumulation block **226** and each of four elemental first-order IIR operations in IIR filter block **228** also comprise a single atomic operation each. Each atomic operation is performed by a separate instruction. Individual instructions are provided for each atomic operation in the ADPLL (or any other task).

The computation elements within the phase calculation block **222** are the elements implemented and executed as software instructions. The computations within block **222** can be expressed as pseudo code as shown in the following Listing 1.

Listing 1: Sequential pseudo-code for ADPLL phase computation

```

L1: y16 = y15 - S1      // S1 is the store element
S1 = y15              // delay
y1 = FCW - y16
y2 = y2 + y1          // accumulation
y3 = IIR (a1, y2, y3) // 4th order infinite impulse response(IIR) filter
y4 = IIR (a2, y3, y4)
y5 = IIR (a3, y4, y5)
y6 = IIR (a4, y5, y6)
y7 = SHL (y6, alpha) // shift operation
y11 = IIR (gs, y7, y11)
y9 = y6 - PhE
y10 = y10 + y9        // implies accumulation
y12 = SHL (y10, rho)
y13 = y11 + y12
y14 = y13 * gain
jump L1              // operates in a continuous loop

```

As described supra, in prior art ADPLL circuits, all ADPLL phase computations are implemented using dedi-

cated hardware (i.e. a hardwired design), which limits the ability to adjust the ADPLL algorithm. In accordance with the software based architecture of the present invention, these ADPLL functions are integrated within a processor using shared hardware thereby providing significant flexibility to the ADPLL algorithm.

#### Processor Based ADPLL Architecture

A block diagram illustrating an example processor based software ADPLL architecture of the present invention is shown in FIG. **11**. The ADPLL circuit, generally referenced **260**, comprises an application specific instruction-set processor (ASIP) **262**, DCO **286**, accumulator **288** and variable phase sampler **289**. The ASIP **262** comprises instruction memory **264**, fetch block **266**, decode block **268**, data bus **278**, RCU **270**, S-unit **272**, L-unit **274**, A-unit **276**, register file **280**, data memory **282** and interface **284**.

All ADPLL computations as delineated in Listing 1 above are incorporated into a so-called Application Specific Instruction-set Processor (ASIP) **262**. It is appreciated that a general purpose processor may also be used to perform the ADPLL operation. An ASIP, however, is far more efficient due to the instruction set being adapted to perform a small but dedicated set of atomic operations.

In operation, the ASIP processor stores the ADPLL software instructions in the instruction memory **264**. The instructions are then fetched from the instruction memory via fetch block **266** and fed into the decoding block **268**. All required control signals are generated through the decoding block to control the operation of the various computational units, including the A-Unit **276** for performing arithmetic operations, e.g., addition, subtraction, etc., L-Unit **274** for performing logic operations, e.g., AND, OR, XOR, etc. and S-Unit **272** for performing data storage and movement operations. A reconfigurable calculation unit (RCU) **270** is constructed to provide application specific instructions for the ADPLL. The RCU, for example, is operative to implement the 1-stage IIR filtering operation within a single instruction. It is noted that the application driven customized instruction set is what differentiates an ASIP from a general purpose processor which performs ADPLL computations much less efficiently to the extent that it may not even be able to complete the necessary computations within the reference clock period.

The ASIP processor is operative to read the FCW and variable phase (PhV) inputs, sequentially perform all the computations (i.e. atomic operations) required for the ADPLL as presented in Listing 1 within one system reference clock cycle and send the resulting tuning word DCO\_TUNE (i.e. DLO update) to the DCO which in turn uses the tuning word to adjust its output frequency. It is important to note that all the computations are performed via the programmed software stored in instruction memory of the ASIP. Note also that the majority of the computations are performed by the RCU, which is designed specifically to implement the atomic operations of the targeted ADPLL application.

#### Reconfigurable Calculation Unit (RCU)

The structure of the RCU will now be described in more detail. As described above, all the computations in Listing 1 are described in terms of atomic arithmetic operations, such as additions, subtractions, shifting, multiplications, etc. and as more complicated operations, such as IIR filtering. A prior art hardwired implementation simply instantiates the num-

ber of hardware operators equal to the number of atomic operations required by the ADPLL algorithm. This, however, has its drawbacks as discussed supra.

The ASIP based design of the present invention utilizes one or more reconfigurable computational units that are used to perform all arithmetic operations implementing the ADPLL algorithm. This computational unit is “recycled” sequentially among all the arithmetic operations within a single cycle of the ADPLL system clock. The internal state of the ADPLL is stored between clock cycles in internal storage elements (i.e. register file, data memory, etc.). An important aspect of the RCU design is the greatly increased application efficiency along with a maximization of resource reuse.

Detailed knowledge of the task to be implemented (e.g., ADPLL algorithm) is important in creating the functionality of the computational unit in order to optimize its complexity and system throughput requirements. In the case of an ADPLL algorithm, all the elemental ADPLL computations (except for IIR filtering) are either add/subtract or power-of-two multiply operation. Therefore, the invention provides for a single IIR computation that has been optimized to be represented as a single operation in the computational unit.

FIGS. 12A, 12B, 12C and 12D illustrate the mapping process and the resulting configuration of the RCU. In particular, FIG. 12A is a diagram illustrating the output and transfer function equations for the infinite impulse response (IIR) filter portion of the ADPLL. FIG. 12B is an equivalent block diagram implementing the output equation shown in FIG. 12A. The circuit, generally referenced 290, comprises multipliers 292, 298, adders 294, 299 and unit delay 296.

FIG. 12C is an equivalent block diagram implementing the output equation shown in FIG. 12A whereby the multiplication operations have been replaced with shift operations. The circuit, generally referenced 300, comprises shift operations 302, 309, adders 304, 308 and unit delay 306. FIG. 12D is a diagram illustrating the resultant reconfigurable calculation unit (RCU) implementing the output equation shown in FIG. 12A. The RCU, generally referenced 310, comprises shifter 312, 318 and adders 314, 316. The unit delay element is replaced with data lines Rb and Rd for reading and writing to an external memory such as the register file or data memory.

Thus, for application to an ADPLL, the multiplication operation in the IIR filter is simplified with a shifting operation. The final RCU in 12D is a pure computation unit without any storage element. To map the IIR equation below

$$y_k=(1-a)y_{k-1}+ax_k \quad (7)$$

to the RCU unit, the following applies:

- $x_k$  maps to RCU input Ra;
- $y_{k-1}$  maps to RCU input Rb;
- $y_k$  maps to RCU output Rd;

The RCU unit is made further configurable to accommodate all the main computations for the ADPLL in an efficient manner. A block diagram illustrating an example RCU unit for implementing the ADPLL circuit way is shown in FIG. 13. The RCU and related circuitry, generally referenced 320, comprises a plurality of elements as follows: two data inputs (Ra Rb), two data outputs (Rd\_st, Rd), three atomic computation units (first addition/subtraction 324, shifter 326, second addition/subtraction 328), two latch/storage elements (input latch S\_d 336 and output latch Rd 330), local registers for data storage, e.g., shift amount a, FCW 340, PhE 342, multiplexers for data steering 332, 334 and control/configure signals.

In operation, the RCU takes input data Ra and goes through the first addition/subtraction followed by a shifting operation followed by a second addition/subtraction. The data is then sent to the outside register file Rd\_st or latched (Rd) for the next computation. An input latching element (S\_d) is included as part of a differentiation operation. All the computation units including the data paths inside the RCU are configurable with the control/configure signals generated by the ASIP decoding block.

Table 1 below shows the mapping of the customized instruction set provided by the RCU and their corresponding targeted computations in the ADPLL.

TABLE 1

Customized instructions and their corresponding computations in the ADPLL	
Computations in ADPLL	Customized Instructions
L1: $y16 = y15 - S\_d$ $S\_d = y15$	F_Diff (y15, y16)
$y1 = FCW - y16$ $y2 = y2 + y1$	F_PheAcc (y1, y2)
$y3 = IIR(a1, y2, y3)$ $y4 = IIR(a2, y3, y4)$	F_IIR1 (y2, y3) F_IIR2 (y3, y4)
$y5 = IIR(a3, y4, y5)$ $y6 = IIR(a4, y5, y6)$	F_IIR3 (y4, y5) F_IIR4 (y5, y6)
$y7 = SHR(y6, \alpha)$ $y11 = IIR(g_s, y7, y11)$ $y9 = y6 - PhE$	F_SHR (y6, y7) F_IIRgs (y7, y11) F_IntAcc (y6, y10)
$y10 = y10 + y9$ $y12 = SHR(y10, \rho)$ $y13 = y11 + y12$	F_SHRAdd (y10, y11, y13)
$y14 = y13 * gain$ jump L1	F_Gain( ) NA

Detailed descriptions for most of the instructions in Table 1 above are provided below. For each instruction, a corresponding figure is provided illustrating the data paths and computation elements in the RCU used in executing the instruction. Elements in each of the figures described below operate as described above in connection with FIG. 13. Further, the bold lines or arrows in each figure highlight the data path for that particular instruction.

F\_Diff Instruction  
F\_Diff(y15, y16):  
 $y16=y15-S\_d$   
 $S\_d=y15$

A block diagram illustrating the RCU unit 350 for implementing the F\_Diff( ) instruction is shown in FIG. 14. The F\_Diff instruction implements a differentiation operation. The bold arrow lines highlight the data path in the RCU. Input y15 is received and the first addition/subtraction unit is bypassed (e.g., the second or negating input to the first adder is set to zero). The shifting unit is also bypassed and a subtraction (via the second addition/subtraction unit) is performed with local register S\_d. The result y16 is output via Rd\_st. The instruction also updates S\_d with input y15 via register latch S\_d.

F\_PheAcc Instruction  
F\_PheAcc(y16, y2):  
 $y1=FCW-y16$   
 $y2=y2+y1$

A block diagram illustrating the RCU unit 352 for implementing the F\_PheAcc( ) instruction is shown in FIG. 15. This instruction implements a subtraction plus an accumulation operation. It takes the input y16, performs the accumulation operation using the first addition/subtraction unit, bypasses any shifting (i.e. the shifter is configured for pass

through operation). A subtraction operation with local register FCW is then performed. The accumulation is done on the Rd register latch.

F\_IIR Instruction

F\_IIR( ): Rd=Rb>>(1-a)+Ra>>a

A block diagram illustrating the RCU unit **354** for implementing the F\_IIR( ) instruction is shown in FIG. **16**. This instruction implements an IIR filtering operation. The shift amount 'a' is pre-set locally within the RCU. Thus, the RCU is optimized to have the capability of performing an IIR filter operation in a single instruction cycle. This permits an efficient computation of the atomic operations needed to implement the ADPLL within a single reference clock period.

F\_SHR Instruction

F\_SHR(Ra,Rd): Rd=Ra>>a

A block diagram illustrating the RCU unit **356** for implementing the F\_SEM( ) instruction is shown in FIG. **17**. This instruction implements a shifting operation. The shift amount 'a' is pre-set locally within the RCU. The two addition/subtraction units are bypassed for this instruction.

F\_IntAcc Instruction

F\_IntAcc(y6, y10):

y9=y6-PhE

y10=y10+y9

A block diagram illustrating the RCU unit **358** for implementing the F\_IntAcc( ) instruction is shown in FIG. **18**. This instruction implements a subtraction and an accumulation operation. It takes the input y16, performs an accumulation in the first addition/subtraction unit and then bypasses the shifter. A subtraction is then performed using local register PhE.

F\_SHRAdd Instruction

F\_SHRAdd(y10, y11, y13):

y12=SHR(y10, rho)

y13=y11+y12

A block diagram illustrating the RCU unit **360** for implementing the F\_SHRAdd( ) instruction is shown in FIG. **19**. This instruction implements a shifting operation followed by an addition operation. The shift amount RHO is set locally in the RCU. Input y10 is received, the first addition/subtraction unit is bypassed and then a shifting operation is performed. The shifter output then undergoes an addition operation via the second addition/subtraction unit.

F\_Gain Instruction

The F\_Gain( ) instruction performs a multiplication by a gain value. In the case where the gain value is a power of two, the shift operation is used to perform this instruction. For non power of two gain values, a multiplier in the RCU is used (not shown).

In addition to the instructions described in detail hereinabove, the RCU comprises other customized instructions that are needed for general purpose applications, such as for setting RCU local register values, etc.

### RF Spur Reduction

The effects of the software based ADPLL on RF spur reduction will now be described. As described supra, in prior art single-chip radios, the phase domain calculation portion of the ADPLL signal processing is traditionally implemented using dedicated random logic gates. In such an implementation, all computations are initiated on a rising edge of the ADPLL system clock and latched on the subsequent rising edge of the clock. This is shown in FIG. **20** which illustrates a timing diagram of several ADPLL processing clock options and the current spikes resulting there-

from. Trace **370** is the FREF system reference clock while trace **374** represents the processor clock.

Since the majority of circuit switching activity in the PLL (and also other close-in circuitry) is centered on a rising edge of the FREF system clock, most of the digital current is being switched at this edge as well, as indicated by trace **372**. These digital current surges find their way into on-chip DCO and PA circuit nodes in the transmitter and LNA and mixer nodes in the receiver via various parasitic coupling mechanisms. The current rush energy due to digital processing at the system clock rate gets upconverted into the RF spectrum by the DCO, resulting in unacceptable RF spurs that are close in frequency to the carrier. The Federal Communications Commission (FCC) rules and numerous wireless communication standards place very low limits on the energy outside of the information carrying frequency range that is allowed to be radiated from wireless terminals.

These low frequency RF spurs are normally very difficult to filter out in a wireless terminal before they are radiated by the antenna because of their proximity in the spectrum to the carrier as shown in FIG. **21**. The FREF clock spurs **384** are shown around the carrier **382**. The filtering envelope **380** will not sufficiently attenuate the spurs to meet the various wireless standards. This is because a high order filtering is required to block the undesired energy, i.e. a steep filter envelope is required. The typical combined filtering effects of the PA (power amplifier), SAW filter and antenna filter out only a portion of the energy of these undesired RF spurs, thus making FCC rules and wireless standard compliance extremely difficult to meet.

In contrast, the mechanism of the present invention is operative to perform the atomic operations serially at the much faster processor rate. At each processor cycle, only a single instruction is executed resulting in reduced current transients being generated, as indicated in trace **376**. This results in significantly reduced RF spur generation. In the present invention, the effects these generated spurs have on RF performance are two-fold: (1) the spurs are shifted to higher frequencies where they are easier to filter out by the oscillator's LC tank, DPA matching network, PA matching network, bandpass filtering in the RF front-end module, as well as overall parasitic RC (resistor-capacitor) network; and (2) the energy of each spur is reduced.

In accordance with the invention, the software based ADPLL significantly reduces the generation of RF spurs in sensitive frequency bands of the DRP by changing the frequency plan of the switching logic gates. The ASIP/RCU performs the bulk of computations at the processor clock rate which is much higher in frequency than that of the system reference clock (FREF). This result in the RF spurs being shifted outside the sensitive regions close to the carrier frequency as shown in FIG. **22**. The processing clock spurs **392** are now far away from the carrier **392** and the filtering envelope **390** is able to remove these spurs with ease.

It is noted that the total amount of energy consumed in performing computations in the conventional ADPLL and the software based ADPLL of the invention is substantially the same. The frequency content of this energy, however, is significantly different. In case of the conventional ADPLL, the computation energy is concentrated at the reference clock edges and therefore has strong low frequency harmonic.

In case of the software based ADPLL, the computation energy is spread out between the reference clock edges (which may or may not coincide with the processor clock edges). The spreading out of the computation energy over the reference clock period serves to create a much higher



frequency harmonic. When these harmonics mix with the carrier, they are offset in frequency around the carrier. The filtering requirements to remove the undesired RF spurs close to the carrier are excessive, as in the case of the conventional ADPLL. The further away from the carrier the RF spurs are located, the more relaxed the filtering requirements become. Changing the frequency content of the computation energy to improve the RF spectrum characteristics is referred to as frequency planning. Such frequency planning also helps to relax circuit design constraints, such as power routing resistance and decoupling capacitance values, which contribute to the magnitude of the energy surges at the clock edges.

Further, the frequency planning can be modified by varying the amount of oversampling (i.e. the ratio of processor clock frequency to the reference frequency FREF). The frequency planning can be lowered as long as the minimum required processing throughput in the processor is maintained. Otherwise, the required atomic operations of the ADPLL may not be completed within a reference clock cycle.

It is appreciated that the application of the software based mechanism described herein is not limited to an ADPLL. The mechanism can be applied to any computing or processing task that can benefit from reduced spur generation. A flow diagram illustrating the RF spur reduction method of the present invention is shown in FIG. 23. In the general case, the task is first partitioned into a plurality of atomic operations (step 740). The computation of the atomic operations required to complete the task are spread out over an entire reference clock period (step 742). The computation of each atomic operation occurs at the higher processor clock rate, rather than the slower reference clock rate (step 744).

Several embodiments of the processor based mechanism will now be presented. Each is an alternative implementation of the software based ADPLL. A block diagram illustrating an example ASIP based implementation of the software ADPLL of the present invention is shown in FIG. 24. The software based ADPLL, generally referenced 550, comprises a phase domain calculator 552, DCO 556, programmable fractional-N clock divider 554, integer feedback block 578 and fractional feedback block 579. The phase domain calculator 552 comprises an ALU (RCU) 572, instruction and data memory 558, register file 560, sequencer 562, latches 566, 576, multiplexers 564, 568, 570, 574.

A block diagram illustrating an example DSP based implementation of the software ADPLL of the present invention is shown in FIG. 25. The software based ADPLL, generally referenced 580, comprises a phase domain calculator 582, DCO 586, programmable fractional-N clock divider 584, integer feedback block 588 and fractional feedback block 590. The phase domain calculator 582 comprises memory block (RAM/ROM) 594, a DSP core 595, external bus interface (I/F) 592, UART 596 and timer 598.

A block diagram illustrating an example hardware state machine based implementation of the software ADPLL of the present invention is shown in FIG. 26. The software based ADPLL, generally referenced 600, comprises a phase domain calculator 602, DCO 606, programmable fractional-N clock divider 604, integer feedback block 608 and fractional feedback block 610. The phase domain calculator 602 is similar in construction and operation to the phase calculation 222 (FIG. 10). In particular, the phase domain calculator 602 comprises flip-flops 612, 616, 624, 630, 634, 656, 650, 638, subtractors 614, 654, adder 628, multipliers

622, 632, 652, accumulators 618, 658, differentiator 636, IIR blocks 620, 626, Lambda register 640, PHE offset register 642, Gain1 register 646, Gain2 register 648 and Gain3 register 644.

A block diagram illustrating a first example implementation of the state machine used to implement the software ADPLL of the present invention is shown in FIG. 27. The circuit, generally referenced 660, comprises a clock generator circuit 662 and a plurality of finite state machines (FSMs) 664, 666, 668, 670. The clock generator is operative to generate the clock signals for the functional units, i.e. FSM1, FSM2, FSM3, FSM4. Although only four units are shown for the sake of simplicity, it is appreciated that any number of state machines may be implemented.

The functional units are executed in a sequential manner to provide the desired overall functionality of a subsystem such as a PLL or other circuit/task. An input of a functional unit is connected to the output of the previous unit with the last unit feeding the first unit. Only a simple circular arrangement is shown although the technique is applicable to more complicated arrangements as well, such as forking and merging.

The higher frequency clock CKVD 672 is generated by performing frequency or edge division of the variable clock CKV. The CKVD clock is used to generate internal clocks CK1, CK2, CK3, CK4, each one providing significant edges to its respective functional units FSM1, FSM2, FSM3, FSM4. The frequency of the CKVD clock is chosen so as to guarantee that all the elementary functional operations performed by functional units FSM1, FSM2, FSM3, FSM4 are executed within a single reference clock FREF cycle 674. This is accomplished by requiring the CKVD clock to be (in this example) at least four times faster (i.e. the number of functional units) than the FREF clock. In the example presented in FIG. 27, the frequency ratio is approximately 4.6.

A block diagram illustrating a second example implementation of the state machine used to implement the software ADPLL of the present invention is shown in FIG. 28. The circuit, generally referenced 680, comprises clock and phase generator 682 and FSM 684. This figure presents the embodiment wherein the functionality of the various functional units (i.e. FSM1, FSM2, FSM3, FSM4) are merged into a single reconfigurable finite state machine (FSM). The FSM unit reprograms itself such that its functionality becomes one of the four units FSM1, FSM2, FSM3, FSM4 of FIG. 27. The determination of which unit the FSM 684 becomes is controlled by the "Phase" signal. The input and output connections between the functional units in FIG. 27 are now stored as state variables internal to the FSM, which now operates at a higher clock rate 688. The single clock line CK comprises gaps due to the non-integer frequency ratio of CKVD to FREF 689.

It is intended that the appended claims cover all such features and advantages of the invention that fall within the spirit and scope of the present invention. As numerous modifications and changes will readily occur to those skilled in the art, it is intended that the invention not be limited to the limited number of embodiments described herein. Accordingly, it will be appreciated that all suitable variations, modifications and equivalents may be resorted to, falling within the spirit and scope of the present invention.

What is claimed is:

1. A reconfigurable calculation unit comprising:
  - (a) data inputs Ra and Rb;
  - (b) data outputs Rd<sub>st</sub> and Rd;

25

- (c) atomic computation units having an input connected to the Ra input, multiplexer inputs, and an output coupled to the Rd\_st data output;
  - (d) a first storage element having an input connected to the Ra data input and an S\_d output, and a second storage element having an input connected to the Rd\_st data output and an output connected to the Rd output;
  - (e) a frequency command word register having an FCW output and a phase error register having a PHE output;
  - (f) multiplexers having inputs coupled to the Rb data input, the S\_d output, the Rd data output, the FCW output, and the PHE output, and having outputs selectively coupled to the multiplexer inputs of the atomic computation units; and
  - (g) control signal inputs coupled to the atomic computation units, the storage elements, the local registers, and the multiplexers.
2. The reconfigurable calculation unit of claim 1 in which the atomic computation units include:
- a first adder/subtractor having an input connected to the Ra input, an input coupled to the Rb input and the Rd output, and a first output;
  - a shifter having an input connected to the first output, a shift amount input, and a shift output; and
  - a second adder/subtractor having an input connected to the shift output, an input selectively coupled to the Rb data input, the Rd output, the FCW output, and the PHE output, and an output connected to the Rd\_st output.
3. The reconfigurable calculation unit of claim 1 in which the atomic computation units include:

26

- a first adder/subtractor having an input selectively coupled to the Ra input, an input selectively coupled to the Rb input and the Rd output through a first multiplexer, and a first output;
  - a shifter having an input selectively coupled to the first output, a shift amount input, and a shift output; and
  - a second adder/subtractor having an input connected to the shift output, an input selectively coupled to the Rb data input, the Rd output, the FCW output, and the PHE output through a second multiplexer, and an output connected to the Rd\_st output.
4. The reconfigurable calculation unit of claim 1 in which the atomic computation units include:
- a first adder/subtractor having an input selectively coupled to the Ra input, an input selectively coupled to the Rb input and the Rd output through a first multiplexer, and a first output;
  - a shifter having an input selectively coupled to the first output, a shift amount input, and a shift output; and
  - a second adder/subtractor having an input connected to the shift output, an input selectively coupled to the Rb data input and the Rd output through the first multiplexer, to the FCW output, and the PHE output through a second multiplexer, and an output connected to the Rd\_st output.
5. The reconfigurable calculation unit of claim 1 in which the first storage element and the second storage element have clock inputs.

\* \* \* \* \*